

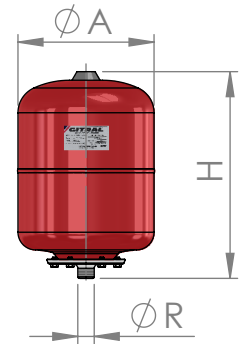
GITRAL®

ZI DE BOURNAT F63190 ORLEAT

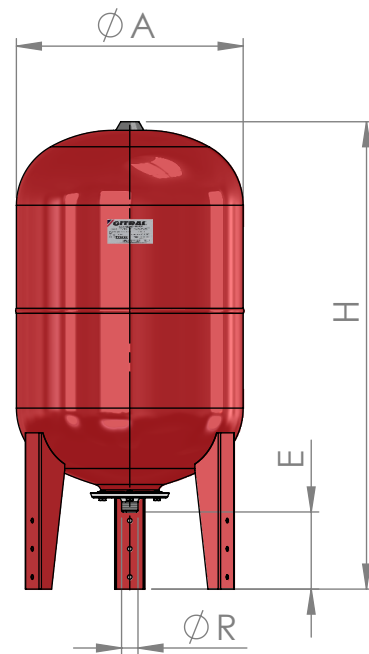
This drawing is the property of company
GITRAL S. A.
All rights reserved.

Technical drawing V

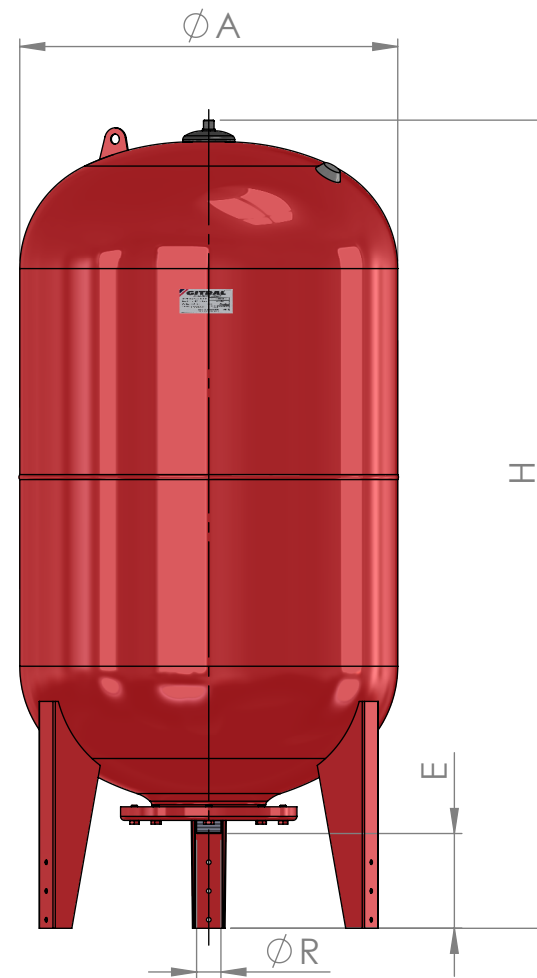
25SP.-25-35 (L) VVEF



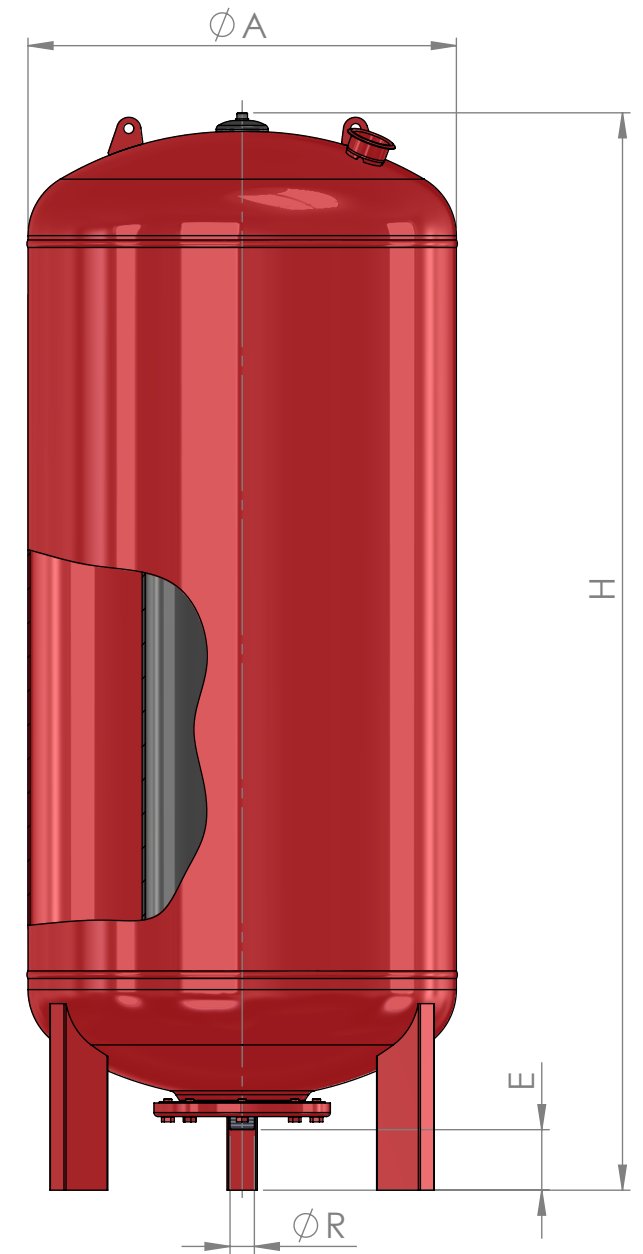
50-60-80-100 (L) VVEF



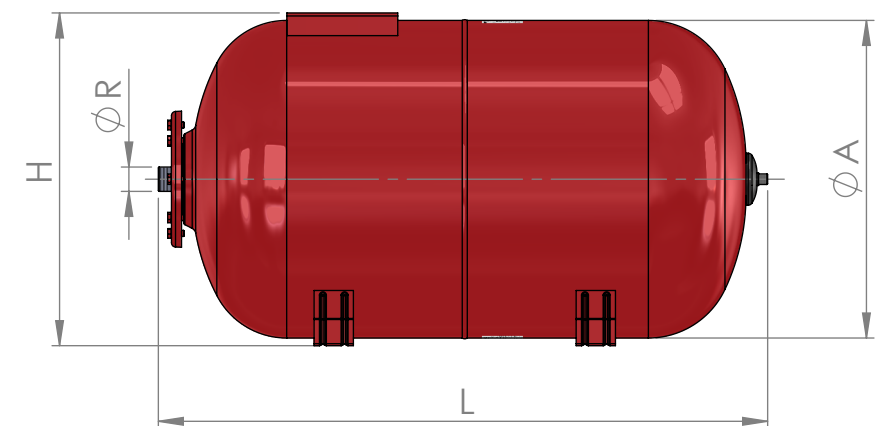
100R-200-300-500(L) VVEF



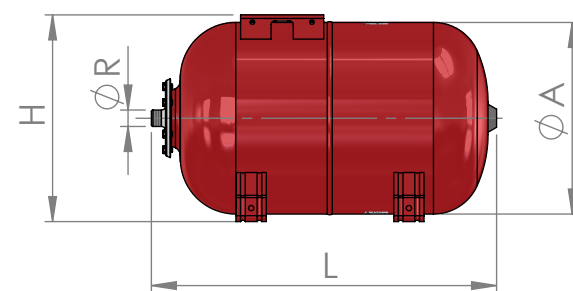
750-1000(L) VVEF



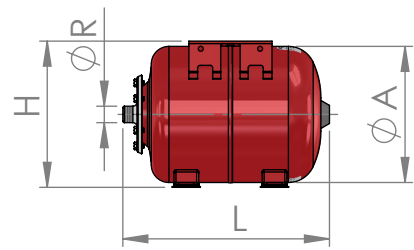
100R-200-300 (L) VHEF



50-60-80-100 (L) VHEF



25 (L) VHEF



All dimension tolerances not indicated are $\pm 2\%$ for length and $\pm 3\text{mm}$ for diameter