



**Prestabo T-piece  
with SC-Contur**

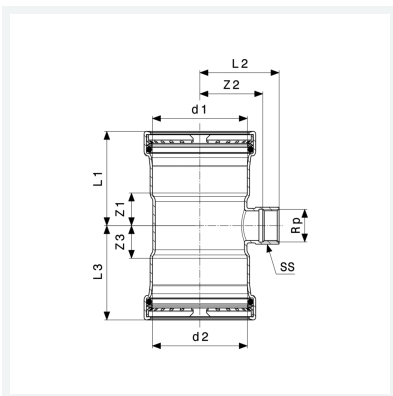
- press connections, Rp-thread

**Components**

EPDM sealing elements, polygon

**Model 1117.2**

**Article 558 949**



## Properties

VdS certification	VdS	✓
Pipe external diameter 1	d1	35
Female thread cylindrical	Rp	¾
Pipe external diameter 2	d2	35
Z-dimension 1	Z1	19 mm
Z-dimension 2	Z2	26 mm
Z-dimension 3	Z3	19 mm
Length 1	L1	45 mm
Length 2	L2	42 mm
Length 3	L3	45 mm

# Data sheet



**Prestabo T-piece  
with SC-Contur  
Model 1117.2  
Article 558 949**

## Properties

Spanner size	SS	30 mm
Weight	166 g	
Volume	414.4 cm <sup>3</sup>	
Material	non-alloyed steel, galvanised	