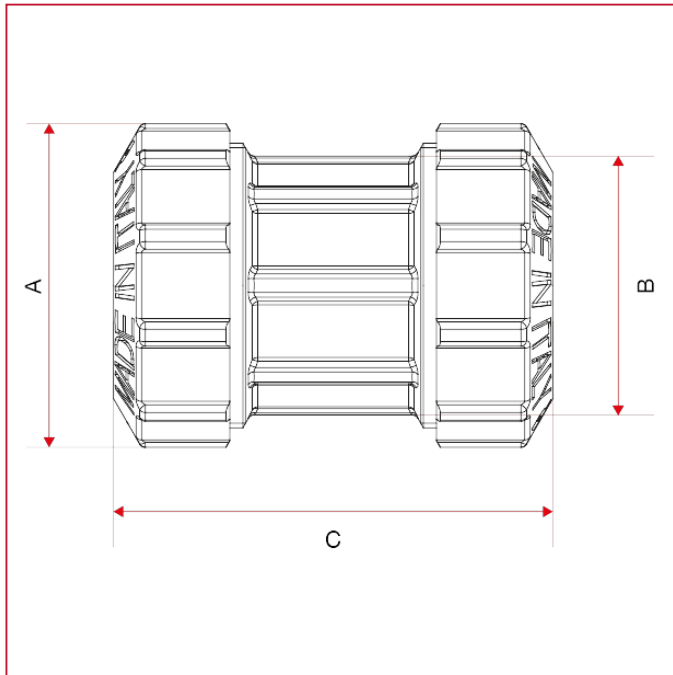




# VX FITTINGS FOR POLYETHYLENE PIPES

## 020 Straight coupling

### OVERALL DIMENSIONS



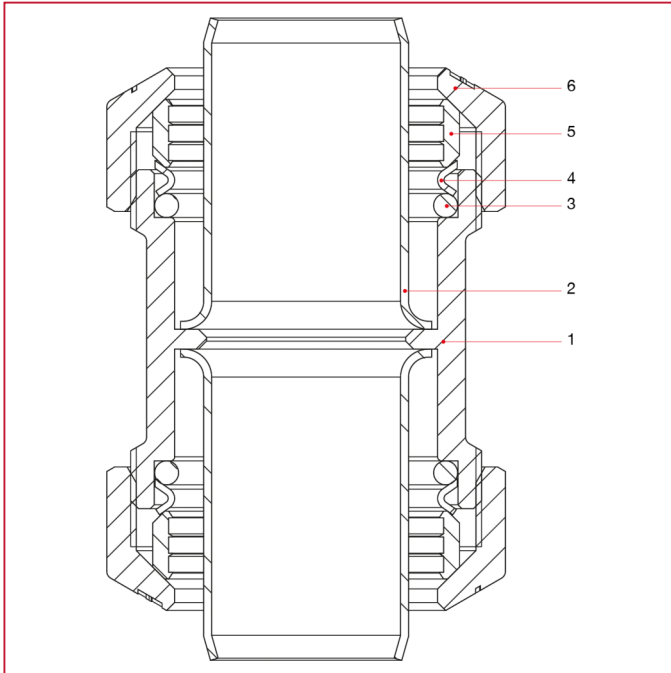
	20	25	32	40	50	63
DN	15	20	25	32	40	50
A	34	40	50	61	71	89
B	27	33	40	50	60	75
C	52	60	67	77	99	115



# VX FITTINGS FOR POLYETHYLENE PIPES

## 020 Straight coupling

### MATERIALS



POS.	DESCRIPTION	N.	MATERIAL
1	Body	1	Brass CW617N
2	Liner	2	Stainless steel AISI 304
3	O-ring	2	NBR
4	O-Ring pushing washer	2	Stainless steel AISI 304
5	Fastening ring	2	Nickel-plated brass CW617N
6	Tightening nut	2	Brass CW617N



# VX FITTINGS FOR POLYETHYLENE PIPES

## 020 Straight coupling

### INSTRUCTIONS INSTALLATION



### COUPLING COMBINATION 4" X 110mm

