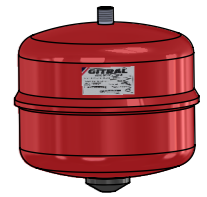
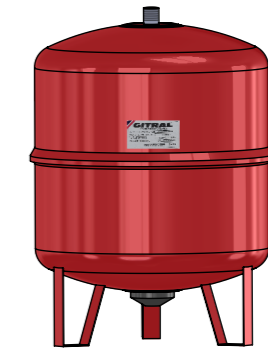
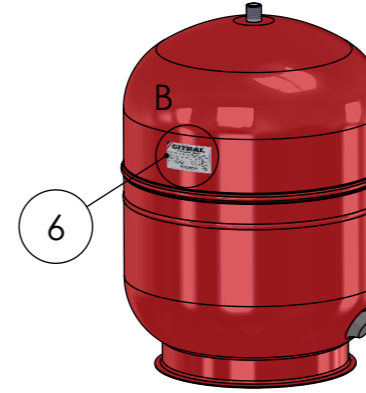
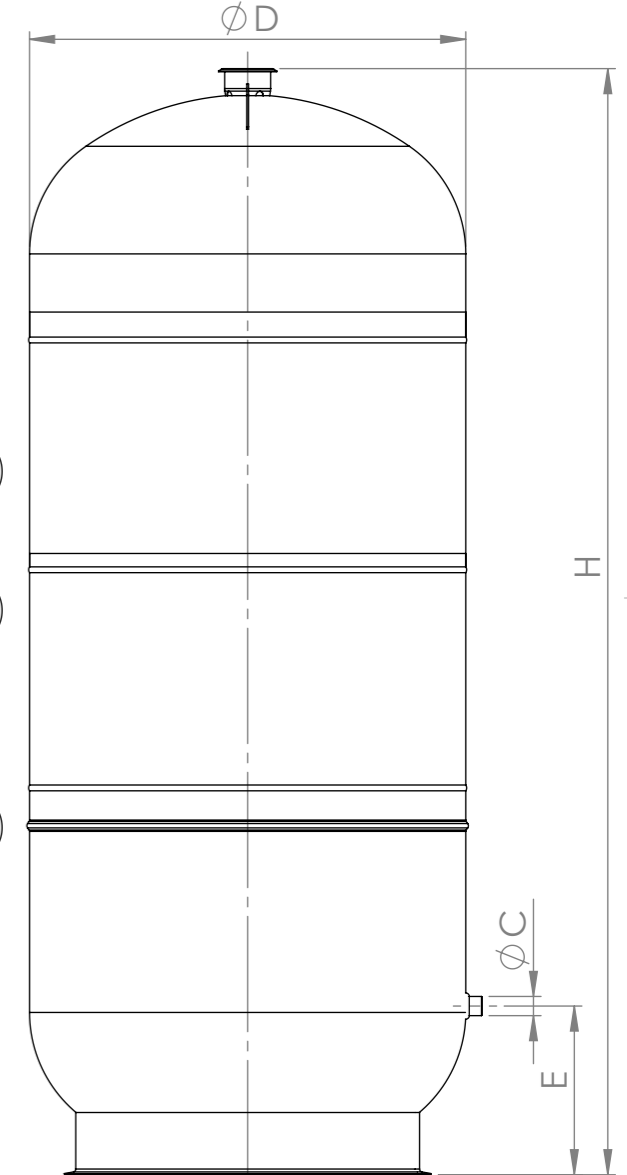


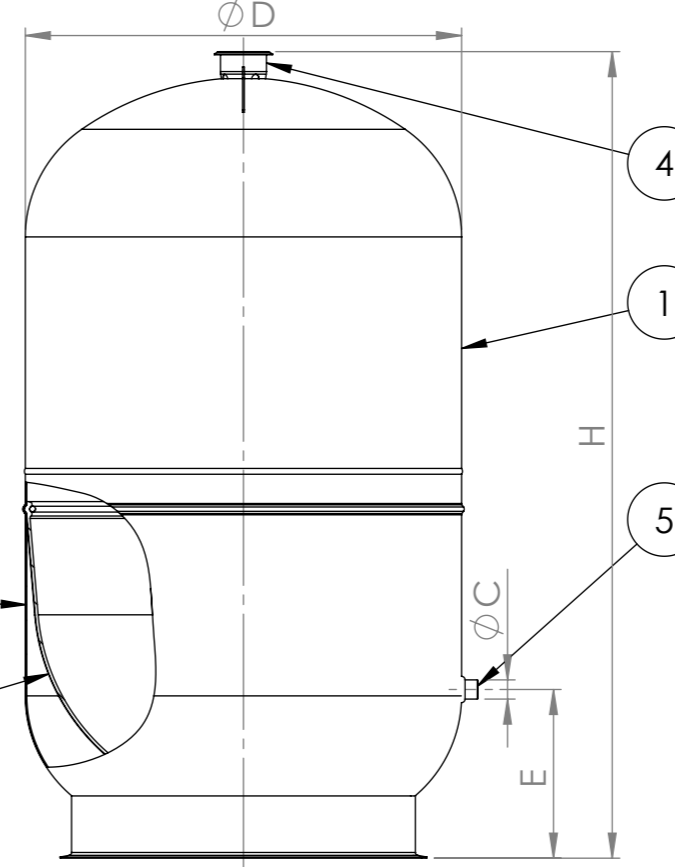
CODE	NOMINAL VOLUME (litres)	ØD (mm)	H (mm)	E (mm)	ØC	P MAX (bar)	PRECHARGE ±20% (bar)	System temperature
130G000400	4	217	208		3/4" G	4	1	-10÷+99°C
130G000800	8	217	318		3/4" G	4	1	-10÷+99°C
130G001200	12	267	334		3/4" G	4	1	-10÷+99°C
130G001800	18	317	318		3/4" G	4	1	-10÷+99°C
130G002500	25	317	398		3/4" G	4	1	-10÷+99°C
130G003500	35	368	478		3/4" G	4	1	-10÷+99°C
130G003501	35 w.f.	368	550		3/4" G	4	1	-10÷+99°C
130G005000	50	418	585		3/4" G	4	1	-10÷+99°C
1300008007	80	450	636		3/4" G	6	1,5	-10÷+99°C
1300010506	105	500	693		3/4" G	6	2	-10÷+99°C
1300015006	150	500	925		3/4" G	6	2	-10÷+99°C
1300020007	200	600	840		3/4" G	6	2,5	-10÷+99°C
1300025009	250	630	975	245	3/4" G	6	2,5	-10÷+99°C
1300030009	300	630	1123	245	3/4" G	6	2,5	-10÷+99°C
1300040009	400	630	1495	245	3/4" G	6	2,5	-10÷+99°C
1300050009	500	750	1385	290	1" G	6	2,5	-10÷+99°C
1300060008	600	750	1505	290	1" G	6	2,5	-10÷+99°C
1300070005	700	750	1800	290	1" G	6	2,5	-10÷+99°C
1300080002	800	750	1900	290	1" G	6	2,5	-10÷+99°C
1300090001	900	750	2150	290	1" G	6	2,5	-10÷+99°C



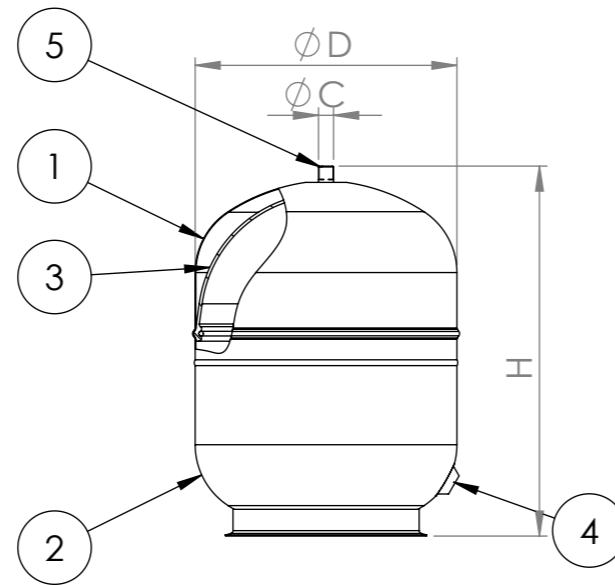
400-600-700 (L)



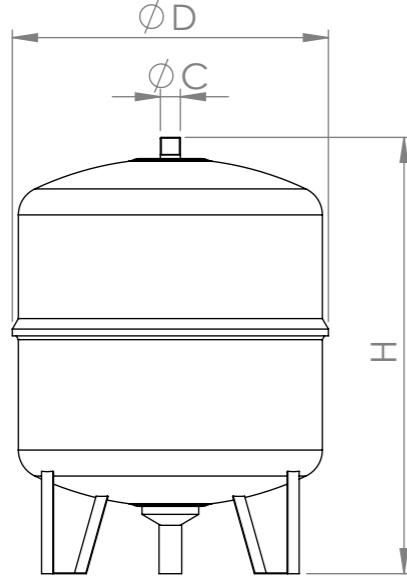
250-300-500 (L)



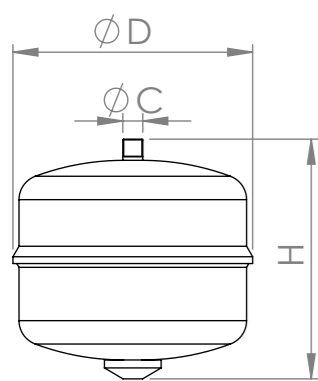
80-105-150-200 (L)



35-50 W.F. (L)



4-8-12-18-25-35 (L)



DETTAGLIO B
SCALA 1 : 2

1	UPPER HEAD	1
2	DOWNER HEAD	1
3	MEMBRANE	1
4	PRECHARGE VALVE	1
5	THREADED NOZZLE	1
6	SELF-ADHESIVE LABEL	1
9	-	-
Pos.	Denomination	Q.ty

Revisioni		
Rev.	Descrizione	Data
02	REDESIGNED WITH S.W.	02/05/2016
DRAWING N°		SCALE
MB		1:13
MATERIAL		
--		
CODE		
130000----		
DENOMINATION		
MB TYPE EXPANSION VESSEL FOR HEATING SYSTEM		
DRAWN	DATE	SIGNATURE
	02/05/2016	
CHECKED	DATE	SIGNATURE
	02/05/2016	
APPROVED	DATE	SIGNATURE
CHERVIN	02/05/2016	

GITRAL
ZI DE BOURNAT F63190 ORLEAT

*:Tolerance variation bigger/lower than 20% do not compromise the expansion vessel functioning

Dimensions in mm

This drawing is the property of company GITRAL S. A. All rights reserved.

A3

All dimension tolerances not indicated are ± 2% for length and ± 3mm for diameter