

**Connection set**

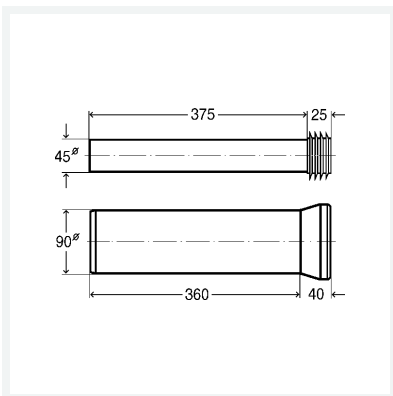
- for

Scope of supply

flushing pipe with flushing pipe connector 45x400 mm, WC connection pipe with lip seal, mounting set (covering accessories white)

Note

Flushing pipe without flushing pipe connector: spare parts/drainage accessories (model 3817.5) product group.

Model 3817.819**Article 654 474**

Properties

Nominal diameter	DN	90
Length	L	400
Weight	560 g	
Volume	9145.938 cm ³	
Material	plastic	