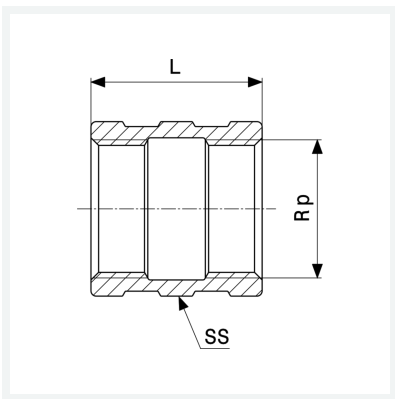


Data sheet



Coupling
- Rp-thread
Components
polygon
Model 3270

Article 266 585



Properties

Female thread cylindrical	Rp	1/2
Length	L	30 mm
Spanner size	SS	26 mm
Weight	56.62 g	
Volume	62.16 cm ³	
Material	gunmetal or silicon bronze	