

Data sheet



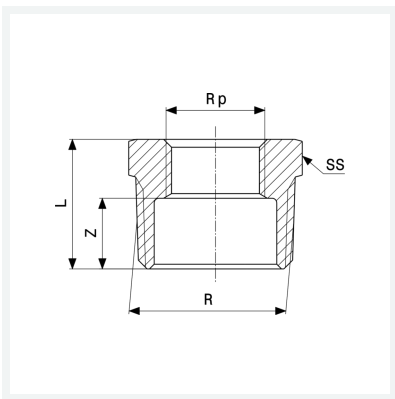
Reducer
- R-thread, Rp-thread

Components

polygon

Model 3241

Article 266 516



Properties

Male thread conical	R	1/2
Female thread cylindrical	Rp	3/8
Z-dimension	Z	10 mm
Length	L	22 mm
Spanner size	SS	22 mm
Weight	24.55 g	
Volume	27.627 cm ³	
Material	gunmetal or silicon bronze	