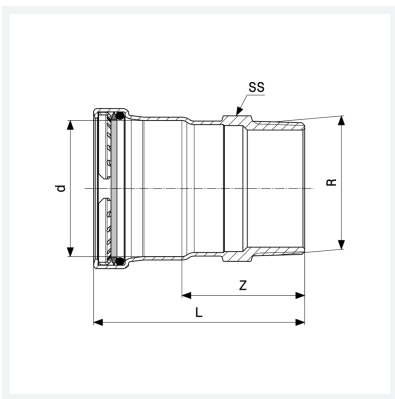


Data sheet



**Prestabo Adapter
with SC-Contur**
- press connection, R-thread
Components
EPDM sealing element, polygon
Model 1111

Article 559 045



Properties

VdS certification	VdS	✓
Pipe external diameter	d	28
Male thread conical	R	1
Z-dimension	Z	27 mm
Length	L	51 mm
Spanner size	SS	34 mm
Weight	98 g	
Volume	248.64 cm ³	
Material	non-alloyed steel, galvanised	