

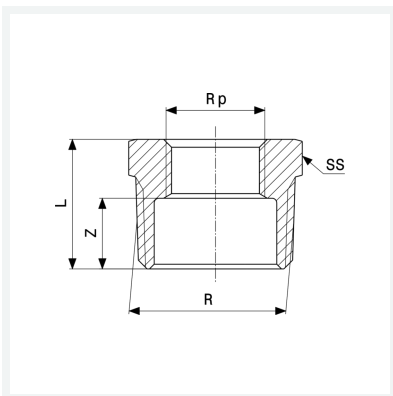
Data sheet



Reducer
- R-thread, Rp-thread

Components
polygon
Model 3241

Article 266 493



Properties

Male thread conical	R	$\frac{3}{4}$
Female thread cylindrical	Rp	$\frac{1}{2}$
Z-dimension	Z	8 mm
Length	L	23 mm
Spanner size	SS	27 mm
Weight	41.76 g	
Volume	41.44 cm ³	
Material	gunmetal or silicon bronze	