

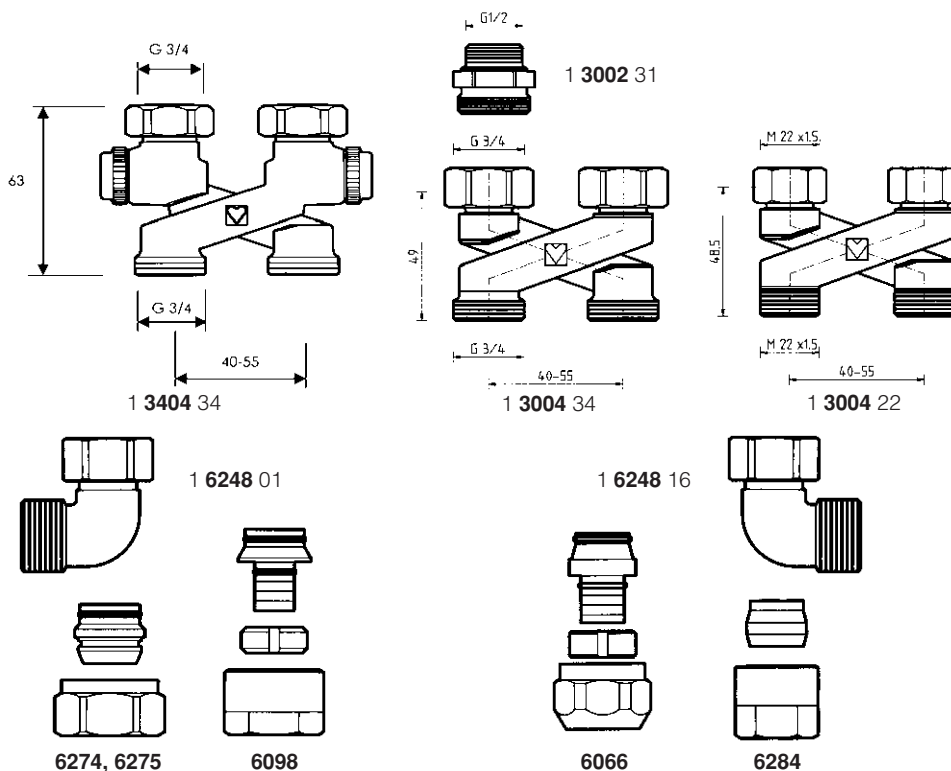
# Special Connection Element

Data Sheet for

**3004/3404**

Edition 0803 (0803)

## Intersection Element in "X"-Model



Dimensions in mm

Connection Nipple

Flexible Intersection Element

Connection Elbow

Compression Union for Steel and Copper Pipes

Compression Union for Plastic Pipes

|           |               |   |
|-----------|---------------|---|
| 1 3004 15 |               | <b>HERZ-Balancing Adapter 3/4, set 2 pieces</b><br>the adapter balances different pipe connections with pipe centre dimensions of 35 mm or 40 mm. Radius of 15 mm, free-moving nut for a 3/4 Euro cone, 3/4 Euro cone connection on pipe side.        |
| 1 3004 22 | M 22 x 1.5    | <b>Intersection Element in "X"-Model</b><br>with separation of intake and return flows, nickel plated, connection M 22 x 1.5 with cone seal and freely moving nut, pipe connection M 22 x 1.5, adjustable for 40–55 mm distance between pipe centres. |
| 1 3004 34 | G 3/4         | <b>Intersection Element in "X"-Model</b><br>with separation of intake and return flows, nickel plated, connection G 3/4 with cone seal and freely moving nut, pipe connection G 3/4, adjustable for 40–55 mm distance between pipe centres.           |
| 1 3004 44 | G 3/4         | <b>Intersection Element in "X"-Model</b><br>with separation of intake and return flows, nickel plated, connection G 3/4 with cone seal and freely moving nut, pipe connection G 3/4, for fixed 40 mm distance between pipe centres.                   |
| 1 3404 34 | G 3/4         | <b>Intersection Element in "X"-Model</b><br>pipe centre distance 50mm, radiator with cone seal G 3/4, freely moving nut. Shutoff, draining and filling functions. Pipe connection with outside thread G 3/4 for compression union.                    |
| 1 3002 31 | G 1/2 x G 3/4 | <b>Connection Nipple</b><br>nickel plated, self-sealing, for direct radiator connection G 1/2 with O-ring seal; to be used exclusively with intersection element 1 3004 34.   |
| 1 6248 01 | G 3/4         | <b>Connection Elbow 90°</b> ,<br>nickel plated with freely moving nut, for lateral pipe connection from any direction.  |
| 1 6248 16 | M 22 x 1.5    | <b>Connection Elbow 90°</b> ,<br>nickel plated with freely moving nut, for lateral pipe connection from any direction.  |

Models

|      |                |   |
|------|----------------|---|
| 6274 | for G 3/4      | Compression union with O-ring seal for calibrated copper and steel pipes, outside pipe diameters 10, 12, 14, 15, 16, and 18 mm.   |
| 6275 | for G 3/4      | Compression union with soft seal for copper and thin-walled steel pipes, particularly suitable for hard special steel pipes and pipes with hard-galvanised surfaces. Pipe outer diameters 12, 14 and 15 mm. |
| 6098 | for G 3/4      | Compression union for PE-X-, PB- and plastic composite pipes.   |
| 6284 | for M 22 x 1.5 | Compression union for calibrated copper and steel pipes, outside pipe diameters 10, 12, 14, 15, and 16 mm.  |
| 6066 | for M 22 x 1.5 | Composite union for PE-X-, PB- and plastic composite pipes.   |

For pipe dimensions and order numbers refer to the HERZ-catalogue or price list.

Pipe Connections  
G 3/4

M 22 x 1.5

We reserve the right to make modifications necessitated by technological progress.

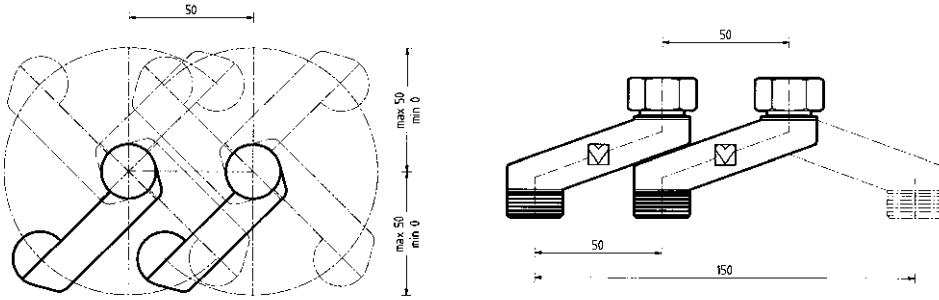
Maximum operating temperature 110 °C  
 Maximum operating pressure 10 bar

Hot water purity in accordance with Austrian standard ÖNORM H 5195 and/or VDI-guideline 2035.

**Operating Data**

- **For crossing of intake and return pipe connections**  
 in case of identical distance of 50 mm between radiator connections and between pipes (parallel).
- **For adapting the distance between pipes**  
 Suitable for distances between radiator connections of 40–55 mm (e.g. HERZ-2000-bypass bodies). In this case, however, there is an inverse change of the pipe distance; e.g. distance between radiator connections = 50 mm, distance between pipes = 50 mm; distance between radiator connections = 40 mm, distance between pipes = 60 mm.
- **For the adaptation of radiators**  
 Lateral compensation of pipe and wall distances, e.g. in the course of renovation work. For the purpose of compensating for dimensions as required, the two individual components of the intersection element can be horizontally tilted into any direction.

**Applications**



- **Intermediate component between piping and radiator connection fitting**  
 HERZ-3000-bypass bodies, connection elements, and single shutoff valves;  
 HERZ-2000-bypass bodies and connection elements, HERZ-H-2-R-connection elements.  
 HERZ-VTA-, HERZ-VUA four-way valves.
- **Direct connection between piping and radiator**  
 Radiator connection G 3/4 with intersection element 13004 34;  
 Radiator connection G 1/2 with adapter 13002 31 between radiator and intersection element 13003 34;  
 Radiator connection M 22 x 1.5 with intersection element 13004 22.

**Where to Install**

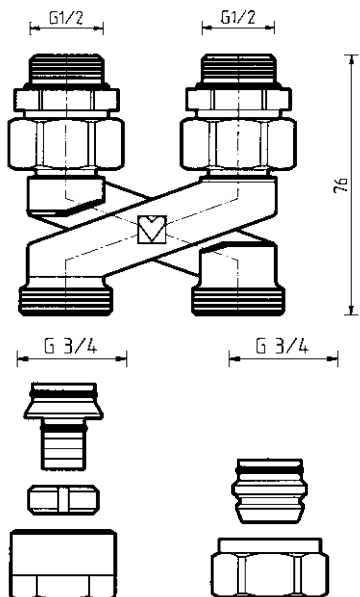
Self-sealing connection to the radiator or to the radiator connection fitting; pipe connection by means of compression unions for calibrated soft steel and copper pipes or for plastic pipes.

**Installation**

Two identical components which are not connected to each other permit separate routing of intake and return pipes. Unlike in single-component intersections and deviation elements, no heat exchange takes place between the intake and return ducts.

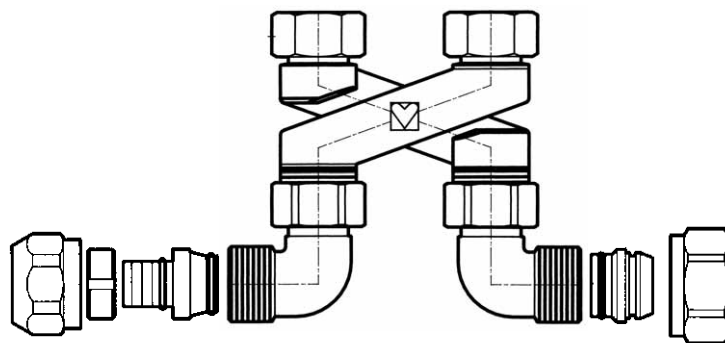
**Special Design Features**

The intersection element can be used for a variety of distances between pipe connections and between pipes and can therefore be used as a compensation element.



**Direct Radiator Connection G 1/2**

**Examples**



Connection elbow 16248 16  
 Plastic pipe connection 6066  
**Connection M 22 x 1.5**

Connection elbow 16248 01  
 Compression union 6274, 6275  
**Connection G 3/4**