

# Data sheet



## Screw fitting

- soldered connection
- conical sealing

## Components

polygon

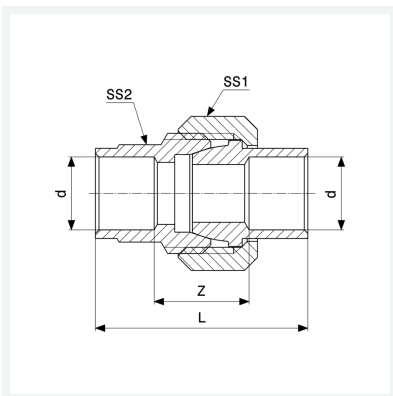
## Note

Not suitable for gas installation!

WRAS approved product

**Model 94340**

**Article 104 399**



## Properties

|                        |     |                       |
|------------------------|-----|-----------------------|
| Pipe external diameter | d   | 22                    |
| Z-dimension            | Z   | 13 mm                 |
| Length                 | L   | 45 mm                 |
| Spanner size 1         | SS1 | 36 mm                 |
| Spanner size 2         | SS2 | 26 mm                 |
| Weight                 |     | 127.27 g              |
| Volume                 |     | 82.88 cm <sup>3</sup> |
| Material               |     | gunmetal              |