

Data sheet



Screw fitting

- soldered connection
- conical sealing

Components

polygon

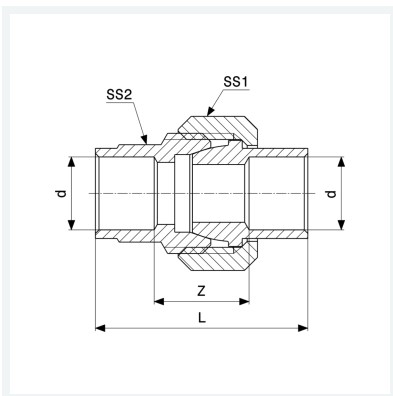
Note

Not suitable for gas installation!

WRAS approved product

Model 94340

Article 103 699



Properties

Pipe external diameter	d	15
Z-dimension	Z	13 mm
Length	L	35 mm
Spanner size 1	SS1	29 mm
Spanner size 2	SS2	19 mm
Weight	73.36 g	
Volume	49.728 cm ³	
Material	gunmetal	