

Data sheet



Adapter

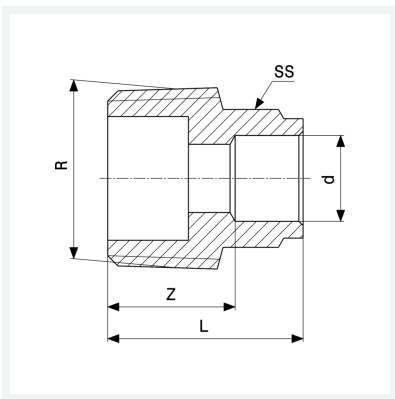
- soldered connection, R-thread

Note

WRAS approved product

Model 94243G

Article 100 650



Properties

Pipe external diameter	d	18
Male thread conical	R	½
Z-dimension	Z	15 mm
Length	L	28 mm
Spanner size	SS	21 mm
Weight	27.8 g	
Volume	49.728 cm ³	
Material	gunmetal	