

Data sheet



Adapter

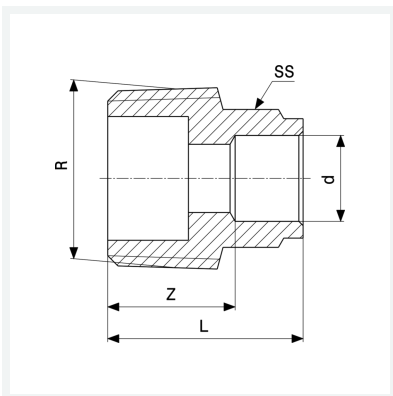
- soldered connection, R-thread

Note

WRAS approved product

Model 94243G

Article 101 657



Properties

Pipe external diameter	d	15
Male thread conical	R	$\frac{3}{8}$
Z-dimension	Z	13 mm
Length	L	24 mm
Spanner size	SS	19 mm
Weight	19.72 g	
Volume	20.72 cm ³	
Material	gunmetal	