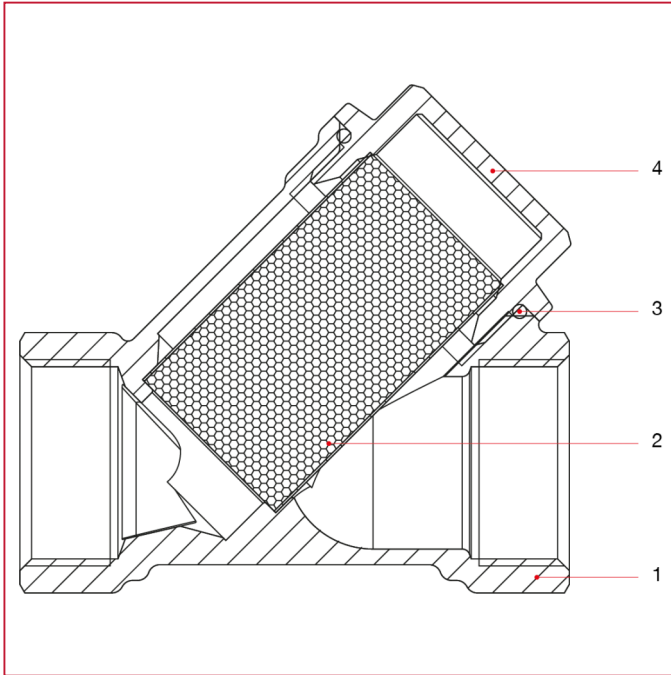




STRAINERS

192 Y strainer

MATERIALS sizes 1/4" through 2"

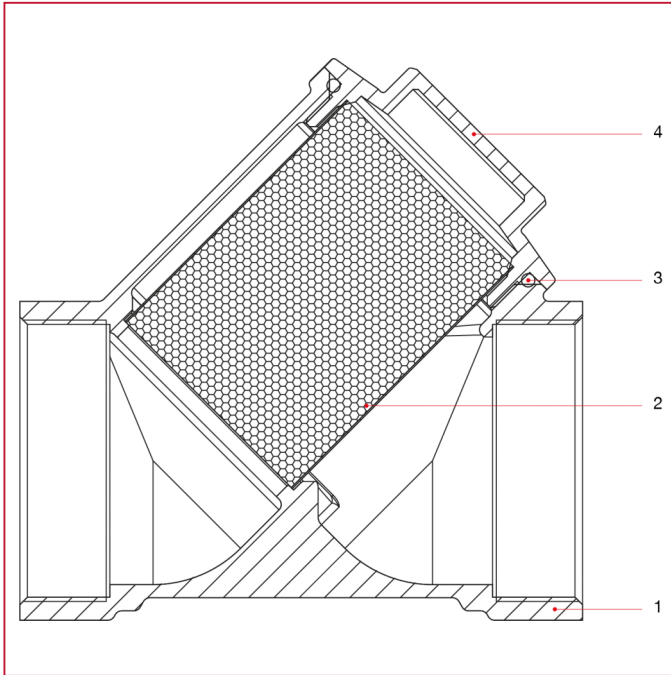


POS.	DESCRIPTION	N.	MATERIAL
1	Body	1	Brass CW617N
2	Strainer	1	Stainless steel AISI 304
3	O-ring	1	NBR
4	End adapter	1	Brass CW617N



STRAINERS

MATERIALS sizes 2"1/2 through 4"



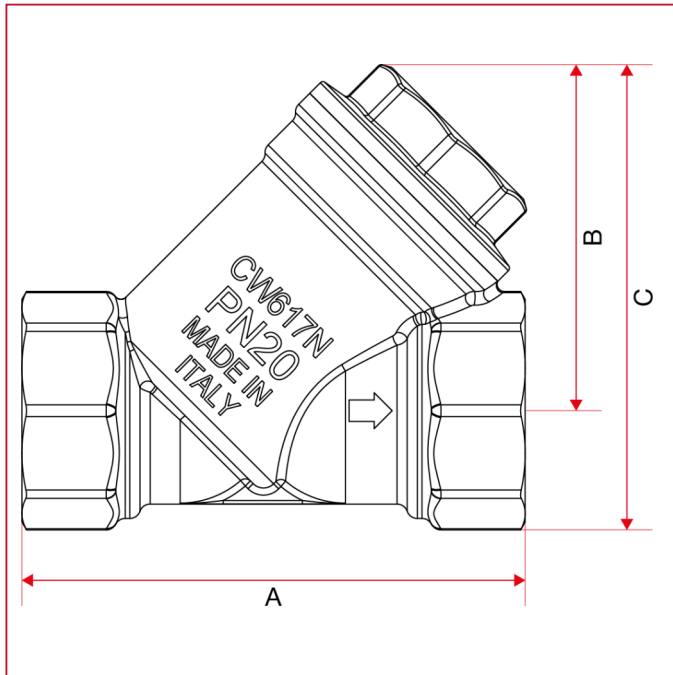
POS.	DESCRIPTION	N.	MATERIAL
1	Body	1	Brass CB753S
2	Strainer	1	Stainless steel AISI 304
3	O-ring	1	NBR
4	End adapter	1	Brass CW617N



STRAINERS

192 Y strainer

OVERALL DIMENSIONS



	1/4"	3/8"	1/2"	3/4"	1"	1"1/4	1"1/2	2"	2"1/2	3"	4"
DN	8	10	15	20	25	32	40	50	65	80	100
A	55	55	58	70	87	96	106	126	150	169	219
B	40	40	40	48	56	64	73	88,5	105	119	162
C	49,4	51	53	65,4	76	88	100	122	147	169	225
Kg/cm ² bar	20	20	20	20	20	20	20	20	16	16	16
LBS - psi	290	290	290	290	290	290	290	290	232	232	232

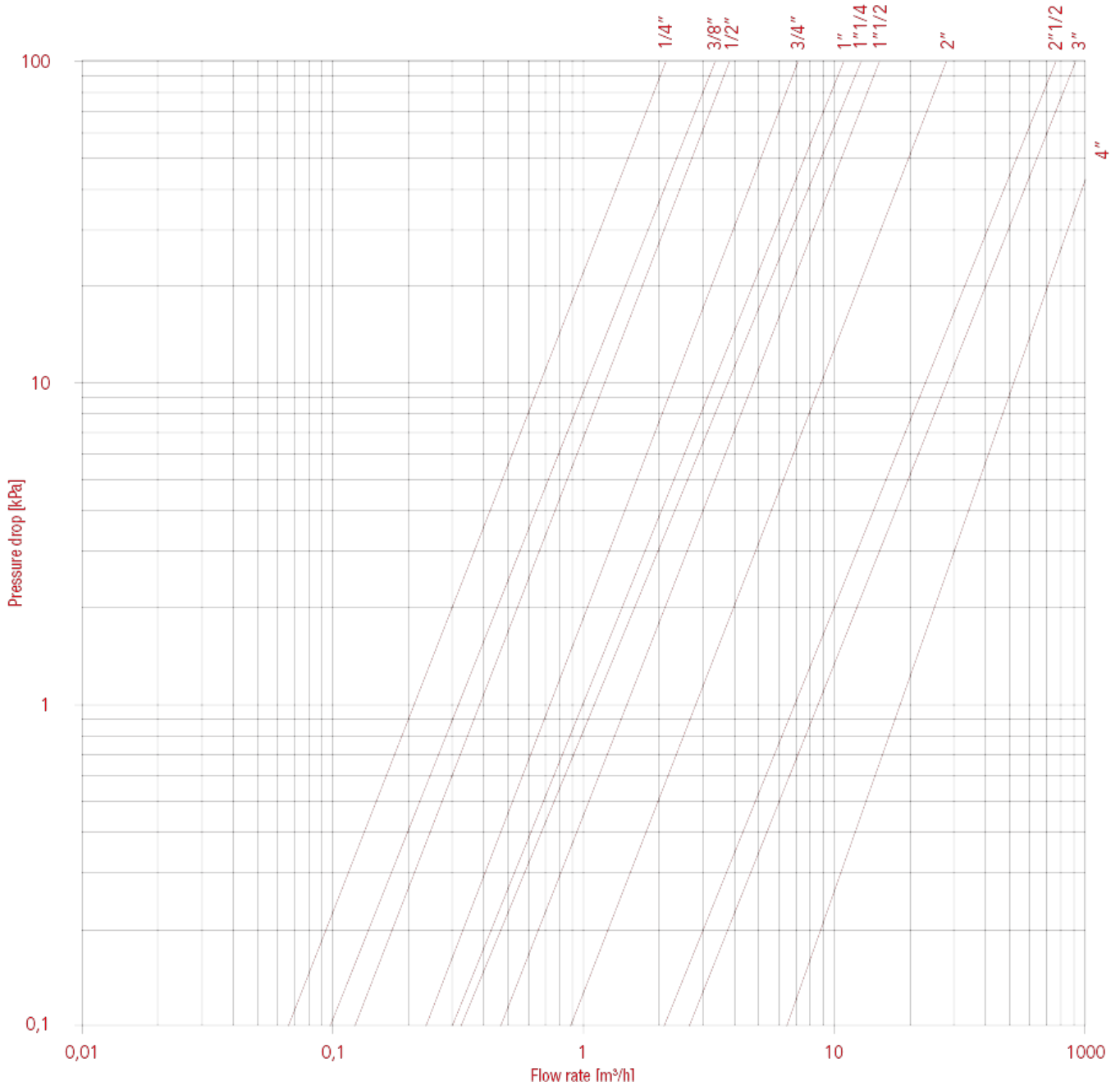


STRAINERS

192 Y strainer

LOSS DIAGRAM (With water)

	1/4"	3/8"	1/2"	3/4"	1"	1"1/4"	1"1/2"	2"	2"1/2"	3"	4"
KV	2,20	3,40	3,80	7,20	11	13	15	28	77	93	146





STRAINERS

192 Y strainer

PRESSURE-TEMPERATURE DIAGRAM

The values shown by the dropping lines state the maximum limit of employment of the valves.
The shown values are approximate.

