

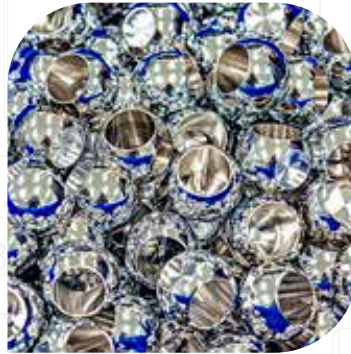
# **CherBros** more than fittings



20  
20



# **CherBros** more than fittings





# **CherBros** more than fittings



With a history from 1952,  
**CherBros S.A.**  
has a leading presence  
as Brass Fittings Manufacturer.





- We ensure quality using raw material CW617N and CW614N for our products and with declaration of conformity to European standards.



- We develop our equipment with new generation machines and robotic systems.
- We train and specialize our staff in the use of new machinery.



Taking into consideration the quality and competitive price, we design our products based on the people's current needs.

- We certify our processes according to UNI EN: ISO 9001:2008.



- We provide to our customers an insurance liability program, covering the entire geographical area of Europe.
- We are expanding into the global marketplace while maintaining our principles for guaranteed high quality, competitive price and friendly service. Our experience is a vehicle for continuing our presence in new market challenges.







**Conformity with specification for drinking water DIN 50930-6**

Alloy chemical analysis CuZn40Pb2 (CW617N)							
Fe	Ni	Al	Cu	Pb	Sn	Others	-
max 0.3	max 0.3	max 0.05	57 - 59	1.6 - 2.5	max 0.3	total 0.2	Zn-remainder

Alloy chemical analysis CuZn39Pb3 (CW614N)							
Fe	Ni	Al	Cu	Pb	Sn	Others	-
max 0.3	max 0.3	max 0.05	57 - 59	2.5-3.5	max 0.3	total 0.2	Zn-remainder





# **CherBros** more than fittings





1. Ball Valves ..... 9



2. Pressure Reducing Valves - Check Valves ..... 23



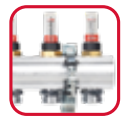
3. Fittings for Heating ..... 27



4. Radiator Valves ..... 37



5. Manifolds ..... 41



6. Underfloor Heating ..... 47



7. Connectors for Compression Fittings ..... 51



8. Compression Fittings for Copper AL-PEX Pipes ..... 55



9. Compression Fittings for PEX Pipes ..... 59



10. Compression Fittings for Copper Pipes ..... 65



11. Compression Fittings for Solar Systems ..... 69



12. Threaded Fittings ..... 75



13. Soldered Fittings ..... 89



14. Floor Gratings ..... 95



15. Soldering - Teflon - Cartridges ..... 99





# DIVA+

 **CherBros**  
more than fittings



# Ball Valves

1







**Plus** DIVA\_Ball Valve F-F / Steel handle

7001	Code	Size	Pack	€
	70011000040	1/2"	1/40	
	70011000060	3/4"	1/30	
	70011000080	1"	1/20	
	70011000100	1 1/4"	1/15	
	70011000120	1 1/2"	1/8	
	70011000160	2"	1/5	



**Plus** DIVA\_Ball Valve F-F / Aluminun handle

7001	Code	Size	Pack	€
	70012000040	1/2"	1/40	
	70012000060	3/4"	1/30	
	70012000080	1"	1/15	
	70012000100	1 1/4"	1/10	

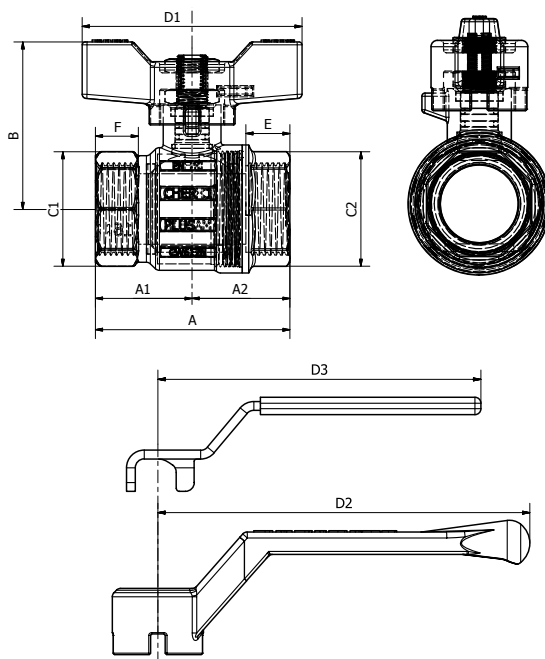


**Plus** DIVA\_Ball Valve F-F / Butterfly handle

7001	Code	Size	Pack	€
	70013000040	1/2"	1/50	
	70013000060	3/4"	1/40	
	70013000080	1"	1/25	
	70013000100	1 1/4"	1/20	

**DIVA+ 7001 plus**

Size	1/2"	3/4"	1"	1 1/4"
A	55,3	60,0	69,7	81,3
A1	27,7	30,0	34,9	40,7
A2	27,7	30,0	34,9	40,7
B	39,0	43,0	57,6	65,0
C1	24,9	30,9	37,9	47,9
C2	24,9	30,9	37,9	47,9
D1	55,6	55,6	77,0	77,0
D2	86,0	86,0	126,5	126,5
D3	92,5	92,5	112,0	112,0
E	14,0	14,0	15,5	17,0
F	14,0	14,0	15,5	17,0
	PN80-DN15	PN45-DN20	PN45-DN25	PN30-DN32





**Plus** DIVA\_Ball Valve M-F / Butterfly handle

7002	Code	Size	Pack	€
	70023000040	1/2"	1/50	
	70023000060	3/4"	1/40	
	70023000080	1"	1/25	
	70023000100	1 1/4"	1/15	



**Plus** DIVA\_Ball Valve M-F / Aluminum handle

7002	Code	Size	Pack	€
	70022000040	1/2"	1/40	
	70022000060	3/4"	1/30	
	70022000080	1"	1/15	
	70022000100	1 1/4"	1/10	

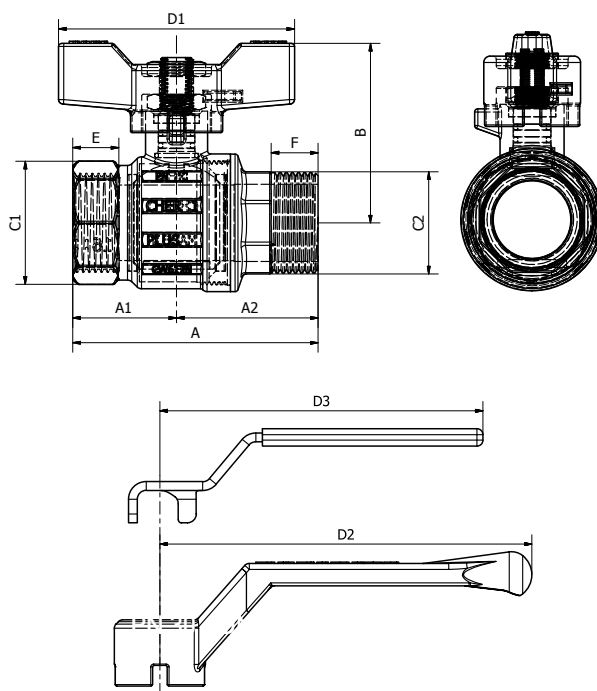


**Plus** DIVA\_Ball Valve M-F / Steel handle

7002	Code	Size	Pack	€
	70021000040	1/2"	1/40	
	70021000060	3/4"	1/30	
	70021000080	1"	1/20	
	70021000100	1 1/4"	1/10	

**DIVA+ 7002plus**

Size	1/2"	3/4"	1"	1 1/4"
A	64,7	69,7	82,0	94,5
A1	27,7	30,0	34,9	40,7
A2	37,1	39,7	47,2	53,9
B	39,1	43,1	57,7	65,0
C1	24,9	30,9	37,9	47,9
C2	21,9	27,7	33,7	42,9
D1	56,0	56,0	77,0	77,0
D2	86,0	86,0	126,5	126,5
D3	92,5	92,5	112,0	112,0
E	13,0	14,0	16,0	18,0
F	14,0	14,0	15,5	17,0
	PN80-DN15	PN45-DN20	PN45-DN25	PN30-DN32





**Plus** DIVA\_Ball Valve with Union / Butterfly handle

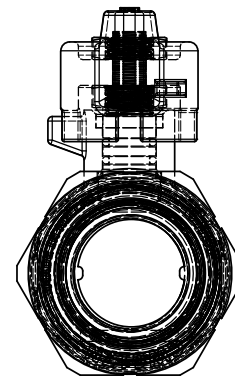
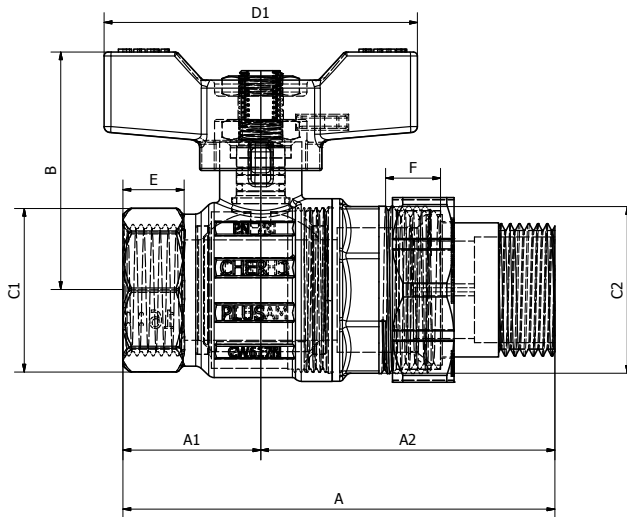
7003	Code	Size	Pack	€
	70033000040	1/2"	1/40	
	70033000060	3/4"	1/30	
	70033000080	1"	1/15	
	70033000100	1 1/4"	1/10	

**DIVA+7003plus**

Size	1/2"	3/4"	1"	1 1/4"
A	88,0	93,5	111,0	134,0
A1	27,7	30,0	34,9	40,7
A2	60,4	63,5	76,2	93,4
B	39,0	43,0	57,6	65,0
C1	24,9	30,9	37,9	47,9
C2	27,7	33,5	41,3	48,5
D1	56,0	56,0	77,0	77,0
E	10,7	10,7	12,5	16,0
F	14,0	14,0	15,5	17,0

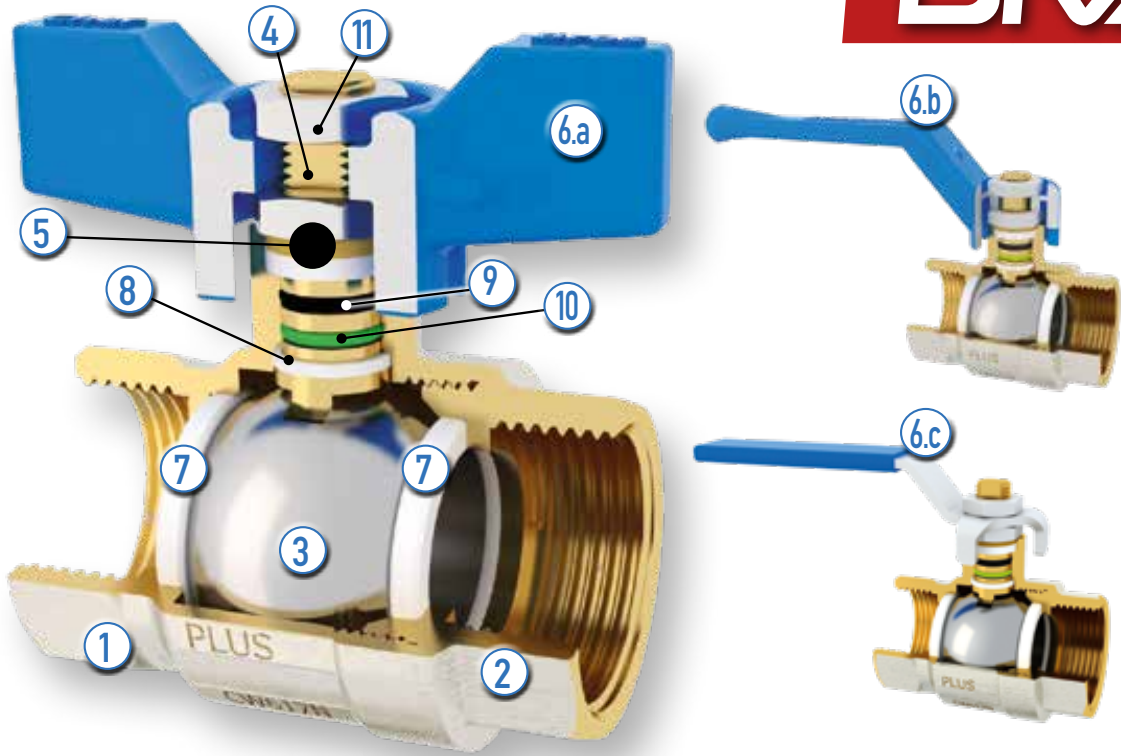
	PN80-DN15	PN45-DN20	PN45-DN25	PN30-DN32
--	-----------	-----------	-----------	-----------



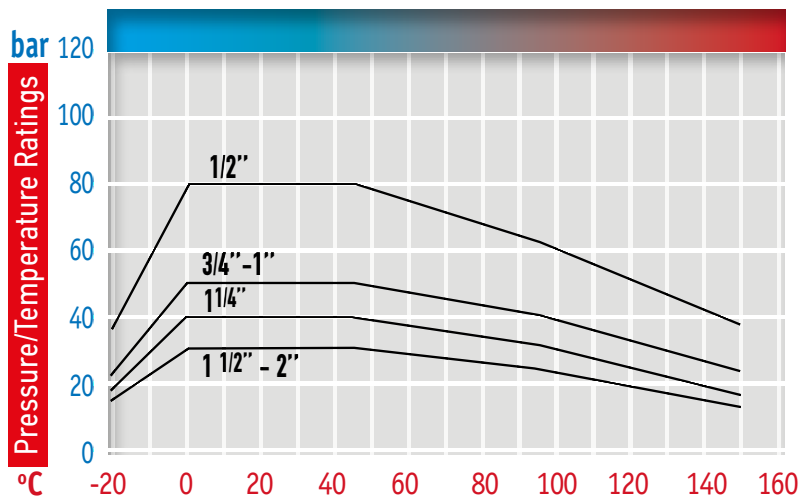
**Plus** Handle Extension

7007	Code	Size	Pack	€
	70073000040	1/2"-3/4"	1	





Technical Specifications			
1	BODY	CW617N UNI EN 12165	1
2	END CONNECTION	CW617N UNI EN 12165	1
3	BALL	CW617N UNI EN 12165	1
4	STEM	CW614N UNI EN 12164	1
5	PACKING GLAD WITH TEFLON	CW614N UNI EN 12164	1
6.a	ALUMINUM BUTTERFLY HANDLE	EN AB - 46100	1
6.b	ALUMINUM HANDLE	EN AB - 46100	1
6.c	STEEL HANDLE	ZINC/GEOMET 321	1
7	BALL SEAT	P.T.F.E	2
8	STEM SEL/THRUST WASHER	P.T.F.E.	2
9	O-RING	NBR 70 FDA	1
10	O-RING	HNBR 70 GREEN FDA	1
11	NUT	CL 04	2





**Plus** Bibcock with hose - Antifreeze+Locker / Aluminum handle

1630	Code	Size	Pack	€
	16301200040	1/2"	1/20	

**Plus** 2 ways Bibcock with hose-Antifreeze+Locker/ Aluminum handle

1630	Code	Size	Pack	€
	16301200140	1/2"	1/20	



# DIVA

## BIBCOCK



- Antifreeze
- Locker
- Two (2) O-rings + packing gland w/teflons
- O-rings suitable for drinking water FDA
- Ball Ø 12
- Stainless screw
- Plus plastic tail-piece
- Rosette



<b>Plus</b>		<b>Bibcock with Hose / Aluminum handle</b>		
<b>1630</b>	Code	Size	Pack	€
	16300000104	1/2"	1/30	



<b>Plus</b>		<b>Bibcock with Hose / Butterfly handle</b>		
<b>1630</b>	Code	Size	Pack	€
	16300000004	1/2"	1/30	



<b>Plus</b>		<b>Ball Valve for Gas F-F / Steel handle</b>		
<b>5727</b>	Code	Size	Pack	€
	5727000004	1/2"	1/40	
	5727000006	3/4"	1/30	
	5727000008	1"	1/20	
	5727000010	1 1/4"	1/15	
	5727000012	1 1/2"	1/8	
	5727000016	2"	1/5	



<b>Plus</b>		<b>Ball Valve for Gas M-F / Butterfly handle</b>		
<b>5730</b>	Code	Size	Pack	€
	57300000104	1/2"	1/50	
	57300000106	3/4"	1/40	
	57300000108	1"	1/25	




**Normal** Ball Valve F-F / Aluminum handle

1720	Code	Size	Pack	€
	17200050004	1/2"	1/50	
	17200050006	3/4"	1/40	
	17200050008	1"	1/25	
	17200000010	1 1/4"	1/15	


**Normal** Ball Valve F-F / Butterfly handle

1715	Code	Size	Pack	€
	17150050004	1/2"	1/60	
	17150050006	3/4"	1/50	
	17150050008	1"	1/30	
	17150000010	1 1/4"	1/15	


**Normal** Ball Valve M-F / Aluminum handle

1702	Code	Size	Pack	€
	17020050004	1/2"	1/50	
	17020050006	3/4"	1/40	
	17020050008	1"	1/25	
	17020050010	1 1/4"	1/15	


**Normal** Ball Valve M-F / Butterfly handle

1704	Code	Size	Pack	€
	17040050004	1/2"	1/60	
	17040050006	3/4"	1/50	
	17040050008	1"	1/30	
	17040050010	1 1/4"	1/15	



**Normal** Ball Valve with Union / Butterfly handle

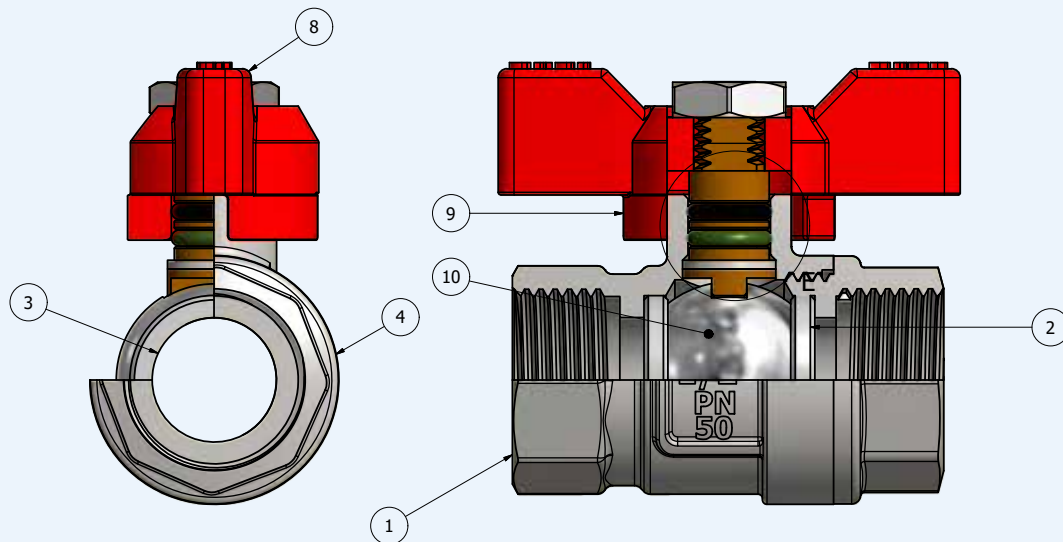
1705	Code	Size	Pack	€
	17050050004	1/2"	1/50	
	17050050006	3/4"	1/40	
	17050050008	1"	1/20	
	17050050010	1 1/4"	1/15	



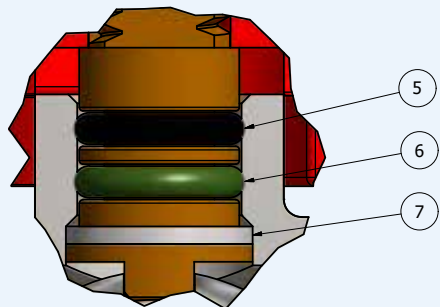
**Normal** Bibock with Hose / Aluminun handle

1603	Code	Size	Pack	€
	1603010004	1/2"	1/30	
	1603010006	3/4"	1/20	
	160301 0008	1"	1/15	

# NEW DESIGN



E (5 : 1)



12	TOTAL WEIGHT 135 gr
11	<b>PN 50</b>
10	CHROMIUM BODY
9	OUT. DIAMETER Ø24 mm
8	HANDLE WIDTH 8 mm
7	TEFLON ABSORV.
6	O-RING GREEN HNBR 70 FOOD <150°C SUIT. FOR DRINK. WATER
5	O-RING BLACK NBR 70 FOOD <100°C SUIT. FOR DRINK. WATER
4	OUT. DIAMETER Ø28 mm
3	INT. HOLE Ø14 mm
2	TEFLON WITH THERMAL ENDUR < 250°C
1	TOTAL LENGTH 49 mm

**ANTI LIME****Plus** Angle Ball Valve /Long thread with rosette INOX

0210	Code	Size	Pack	€
	0210040409	1/2" x 1/2" chr. plated	1/40	
	0210040609	1/2" x 3/4" chr. plated	1/40	
	0210040309	1/2" x 3/8" (Ø10) chr. plated	1/40	

**ANTI LIME****Plus** Angle Ball Valve / Short thread with rosette INOX

0210	Code	Size	Pack	€
	0210040408	1/2" x 1/2" chr. plated	1/40	
	0210040608	1/2" x 3/4" chr. plated	1/40	
	0210040308	1/2" x 3/8" (Ø10) chr. plated	1/40	

**ANTI LIME****Plus** Angle Ball Valve (for washing machine) with rosette INOX

0210	Code	Size	Pack	€
	0210060400	1/2" X 3/4" chr. plated	1/40	




**Normal** Angle Rotating Valve / Metal handle

0260	Code	Size	Pack	€
	0260040401	1/2" x 1/2" chr. plated	1/40	
	0260040601	1/2" x 3/4" chr. plated	1/40	
	0260030401	1/2" x 3/8" (Ø10) chr. plated	1/40	


**Normal** Angle Rotating Valve / ABS handle

0260	Code	Size	Pack	€
	0260040400	1/2" x 1/2" chr. plated	1/40	
	0260040600	1/2" x 3/4" chr. plated	1/40	
	0260030400	1/2" x 3/8" (Ø10) chr. plated	1/40	


**Normal** Rosette INOX

2340	Code	Size	Pack	€
	2340040002	1/2"	100	


**Normal** Adapter Allen with fibre o'ring

0215	Code	Size	Pack	€
	0215060409	3/4" - 1/2"	400	



Plus	MINI Ball Valve 1/2" - 24 x19 M-M chrome plated			
<b>0220</b>	Code	Size	Pack	€
	02202419MX	Blue Handle	1/100	
	02202419KX	Red Handle	1/100	

Plus	MINI Ball Valve 1/2" - 24 x19 M-M chrome plated			
<b>0220</b>	Code	Size	Pack	€
	02202419MX	Blue Handle	1/100	
	02202419KX	Red Handle	1/100	



Plus	MINI Ball Valve 1/2" X 1/2" M-F chrome plated			
<b>0220</b>	Code	Size	Pack	€
	0220210409	Blue Handle	1/100	
	0220210419	Red Handle	1/100	

Plus	MINI Ball Valve 1/2" X 1/2" M-F chrome plated			
<b>0220</b>	Code	Size	Pack	€
	0220210409	Blue Handle	1/100	
	0220210419	Red Handle	1/100	



Plus	MINI Ball Valve 1/2" X 1/2" M-F			
<b>0220</b>	Code	Size	Pack	€
	0220210400	Blue Handle	1/100	
	0220210410	Red Handle	1/100	

Plus	MINI Ball Valve 1/2" X 1/2" M-F			
<b>0220</b>	Code	Size	Pack	€
	0220210400	Blue Handle	1/100	
	0220210410	Red Handle	1/100	



**Plus** MINI Ball Valve 1/2 AL PEX Chrome plated

0251	Code	Size	Pack	€
	02511620MX	16 X 2.0 Blue Handle	1/75	
	02511620KX	16 X 2.0 Red Handle	1/75	
	02511820MX	18 X 2.0 Blue Handle	1/75	
	02511820KX	18 X 2.0 Red Handle	1/75	



**Plus** MINI Ball Valve 1/2 PEX Chrome plated

0250	Code	Size	Pack	€
	02501525MX	15 X 2.5 Blue Handle	1/75	
	02501525KX	15 X 2.5 Red Handle	1/75	
	02501620MX	16 X 2.0 Blue Handle	1/75	
	02501620KX	16 X 2.0 Red Handle	1/75	
	02501820MX	18 X 2.0 Blue Handle	1/75	
	02501820KX	18 X 2.0 Red Handle	1/75	
	02501825MX	18 X 2.5 Blue Handle	1/75	
	02501825KX	18 X 2.5 Red Handle	1/75	



**Plus** MINI Ball Valve 1/2 PEX

0250	Code	Size	Pack	€
	02501525MK	15 X 2.5 Blue Handle	1/75	
	02501525KK	15 X 2.5 Red Handle	1/75	
	02501620MK	16 X 2.0 Blue Handle	1/75	
	02501620KK	16 X 2.0 Red Handle	1/75	
	02501820MK	18 X 2.0 Blue Handle	1/75	
	02501820KK	18 X 2.0 Red Handle	1/75	
	02501825MK	18 X 2.5 Blue Handle	1/75	
	02501825KK	18 X 2.5 Red Handle	1/75	




**Normal** Boiler Tank drain Ball Valve

4007	Code	Size	Pack	€
	4007040000	1/2"	1/100	
	4007040900	1/2" chr. plated	1/100	


**Normal** Ball Valve / Loose union / Butterfly handle

1706	Code	Size	Pack	€
	17060050004	1/2" x 1/2" red	1/60	
	17060050006	3/4" x 3/4" red	1/50	
	17060050014	1/2" x 1/2" blue	1/60	
	17060050016	3/4" x 3/4" blue	1/50	


**Bibcock with hose and union**

1530	Code	Size	Pack	€
	1530040002	1/2"	1/30	


**Bibcock with hose, union and key**

1540	Code	Size	Pack	€
	1540040002	1/2"	1/30	

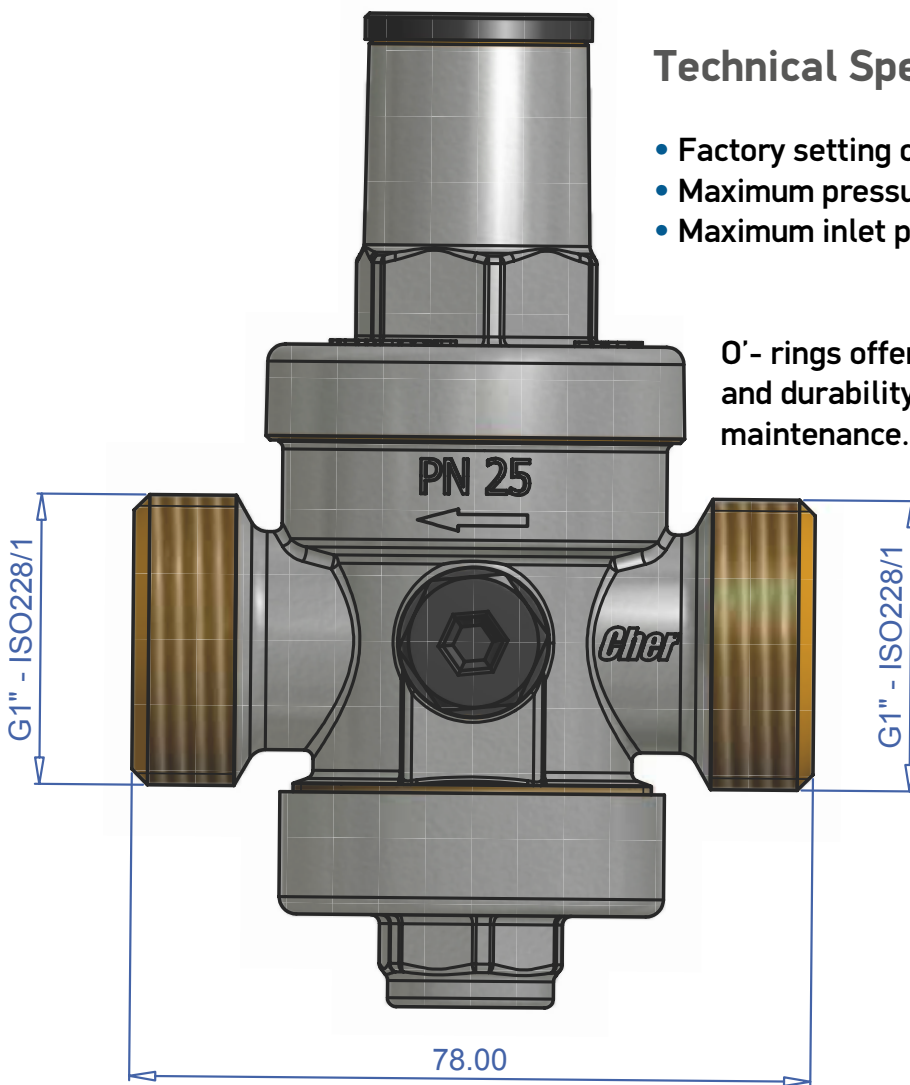
# Pressure Reducing & Check Valves

2





Plus		Pressure Reducing Valve		
3410	Code	Size	Pack	€
	34100100604	3/4" F. - 1" M	1/10	



**Technical Specification:**

- Factory setting outlet pressure at 3 bar
- Maximum pressure 1 - 5 bar.
- Maximum inlet pressure 25 bar.

O' - rings offers flawless operation and durability without the need of maintenance.

Thermoplastic material of the inner surface guarantees enhanced durability, solidity and precision in regulation, with additional friction control



**Plus** Pressure Reducing Valve / F-union

3410	Code	Size	Pack	€
	34100000204	1/2"	1/10	
	34100000206	3/4"	1/10	
	34100000208	1"	1/10	



**Plus** Pressure Reducing Valve / M-union

3410	Code	Size	Pack	€
	34100000104	1/2"	1/10	
	34100000106	3/4"	1/10	



**Plus** Union sets for Pressure Reducing Valve

3410	Code	Size	Pack	€
	3410010409	1/2" F.	75	
	3410020409	1/2" M	75	
	3410010609	3/4" F	50	
	3410020609	3/4" M	50	
	3410010809	1" F	50	




**Plus** Check Valve with brass disk

0410	Code	Size	Pack	€
	0410100004	1/2"	1/38	
	0410100006	3/4"	1/24	
	0410100008	1"	1/13	
	0410100010	1 1/4"	8	
	0410100012	1 1/2"	4	
	0410100016	2"	2	


**Plus** Filter for check valves / Nylon thread

0410	Code	Size	Pack	€
	0410200004	1/2"	250	
	0410200006	3/4"	120	
	0410200008	1"	80	
	0410200010	1 1/4"	50	
	0410200012	1 1/2"	30	
	0410200016	2"	20	

# Fittings for Heating



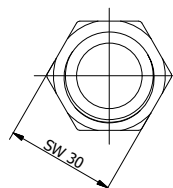
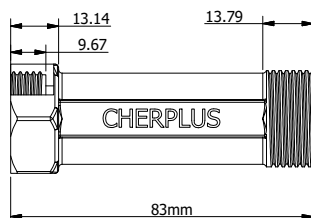
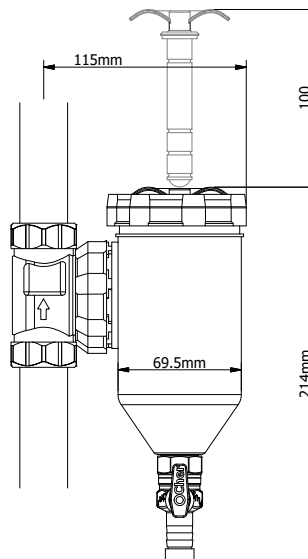
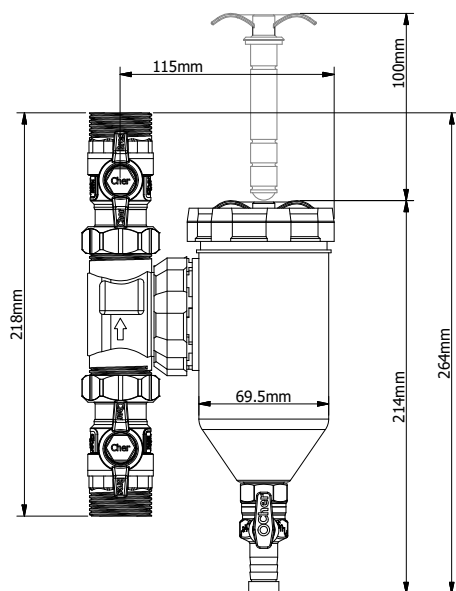
# MAGNETO



## Magnetic Filter - Particle separator

3510	Code	Package	€
	35100100100	1/6	

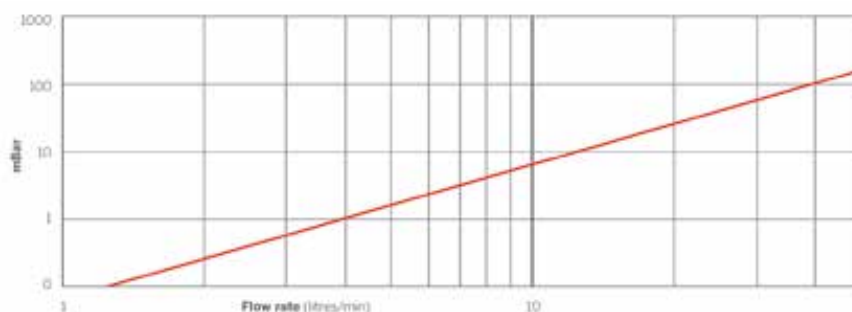
The package includes:



- 1 Neodymium Magnet 9000+ G
- 2 Elastic connector (2 pcs.)
- 3 Filter anti-blocking system
- 4 Hydrocyclone system
- 5 Body
- 6 Discharge switch CW614N
- 7 Cap CW614N
- 8 Elastic connector (2 pcs.)
- 9 T-piece with a capacity to rotate at 360°
- 10 Ball Switch with Rotary ARS fitting. 1"/Female 3/4", ISO:228, CW617N
- 11 Add L70 M/F, CW617N



- ▶ Maximum flow: 50 l/min (in boilers up to 60KW)
- ▶ Operating temperature: 1000C
- ▶ Maximum operating pressure: 3 bar
- ▶ Installation: The body should always be vertical.

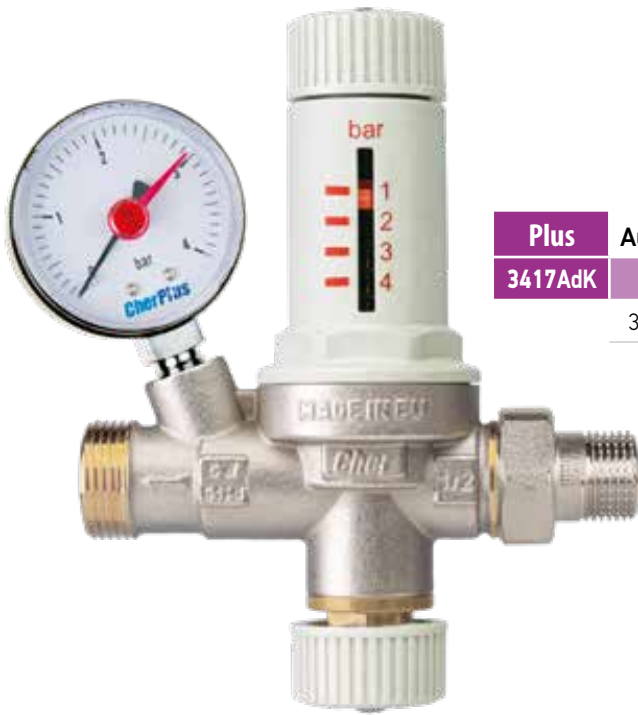






## Automatic Filling Unit with Adjustment Knob

- Max pressure in 14 bar
- Scale for pressure adjustment out 0,5-3 bar
- Factory pessure setting 1,5 bar
- Max temperature 70 C
- Raw Materials CW617N, CW614N



Plus		Automatic Filling Valve with adjustment knob		
3417AdK	Code	Size	Pack	€
	341704091000	1/2"	1/15	



### Filling Valve with adjustment knob 3417 Installation instructions

**VRV Filling Valve** is composed of pressure reducer, filter on the inlet side, cut-off cock and check valve. It must be installed on the delivery pipe to the closed circuit heating system so the system pressure remains steady at the set value and water is filled whenever needed. The stainless steel filter and check valve are built in the body (1). **VRV Filling Valve** is available with pressure gauge (2).

#### TECHNICAL FEATURES

Max pressure upstream: 10 bar  
 Pressure downstream: 1 - 4,5 bar  
 Factory set pressure: 1,5 bar  
 Max working temperature: 110°C  
 Thread ISO:228 Ext.: MALE 3/4" • Int.: FEMALE 1/2"

**INSTALLATION:** **VRV Filling Valve** must be installed on the pipe delivering water to the boiler in the direction of the arrow on the valve body.

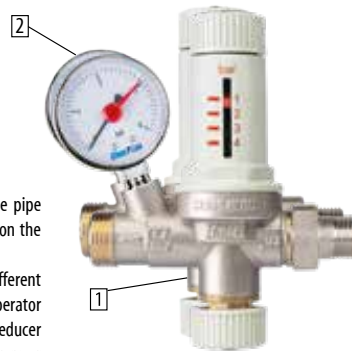
The pressure gauge can be mounted on the valve or a different point of the system provided it is readily visible to the operator during adjustment. It is recommended to use a pressure reducer upstream of the filling valve to prevent sudden pressure change or overpressure which may cause leaks or break the diaphragm. The filling valve can be mounted horizontally (with the tuning knob facing upward) or vertically.

**ADJUSTMENT:** **VRV Filling Valve** are type tested and factory adjusted to 1,5 bar. Users can change the set pressure according to specific requirements of the circuit downstream of the valve. Turning the knob on the cap clockwise or anti-clockwise allows to set the circuit pressure. The displayed value (1 - 4.5 bar) gives an indication of the set pressure; the real pressure in the system should always be checked on the pressure gauge.

The system must be filled slowly so the air left in the circuit can be blown out without creating overpressure. When the system is ready, the cut-off cock can be closed. To fill water, open the cock until the set pressure is reached downstream of the valve.

**FUNCTIONING:** When the system is empty and the air vent valves are open, water from the water system flows through the filter; the plug of the reducer is open so water flows through the check valve and fills the circuit. As the system pressure increases, the plug of the reducing valve closes slowly and fully shuts when the pressure reaches the user set value. If pressure decreases, the check valve closes so water does not flow back to the water system.

**MAINTENANCE:** After a few working cycles of **CHERPLUS Filling Valve**, check the filter if the valve does not fill the circuit at appropriate speed. Loosen the screw to access the filter; do not use mechanical tools (e.g. brushes or needles) or chemical agents to clean it as they may damage the gaskets. Once cleaning is completed, replace the screw. The set pressure remains unchanged.



MADE IN E.U.


**Plus Safety Valve 1/2"**

3427	Code	Size	Pack	€
	34270402090	2 bar	1/100	
	34270403090	3 bar	1/100	
	34270404090	4 bar	1/100	
	34270406090	6 bar	1/100	
	34270408090	8 bar	1/100	
	34270410090	10 bar	1/100	


**Plus Safety Valve 3/4"**

3427	Code	Size	Pack	€
	34270603090	3 bar	4/60	
	34270604090	4 bar	4/60	
	34270606090	6 bar	4/60	
	34270608090	8 bar	4/60	
	34270610090	10 bar	4/60	


**Plus Safety Valve 1"**

3427	Code	Size	Pack	€
	34270803090	3 bar	2/30	
	34270804090	4 bar	2/30	
	34270806090	6 bar	2/30	
	34270808090	8 bar	2/30	
	34270810090	10 bar	2/30	





**Plus** Double Function Safety Valve 3/4" / Ø15 - 90°

3428	Code	Size	Pack	€
	34280603159	3 bar	1/24	



**Plus** Safety Valve 1/2" - Solar Systems

3429	Code	Size	Pack	€
	3429040403	3 bar	55	
	3429040406	6 bar	55	



**Plus** Safety Valve 3/4" - Solar Systems

3429	Code	Size	Pack	€
	3429060403	3 bar	55	
	3429060406	6 bar	55	





**Plus** Air Vent Valve 1/2" Chrome Plated o-ring

0410	Code	Size	Pack	€
	0410040900	1/2" with o-ring	1/64	
	0410040909	1/2" with o-ring angle	1/57	



**Normal** Air Vent Valve 1/2"

0410	Code	Size	Pack	€
	0410040001	1/2"	50	



**Normal** MINI Air Vent Valve 1/2"

0410	Code	Size	Pack	€
	0410040002	1/2"	10/50	
	0410040003	1/2" chr. plated	10/50	



**Plus** Air Vent Valve 1/2" - Solar Systems

0420	Code	Size	Pack	€
	0420042000	1/2"	1/64	



Stop Valve for automatic Airvent

0410	Code	Size	Pack	€
	0410040409	1/2" x 1/2"	10/300	



### Straight Fitting M/F for Radiator with O-Ring

<b>0430</b>	Code	Size	Pack	€
	0430110407	1/2" <i>Plus</i>	10/100	
	0430110607	3/4" <i>Plus</i>	10/60	
	0430110807	1" <i>Plus</i>	5/40	
	0430111000	1 1/4"	5/20	
	0430111200	1 1/2"	5/20	
	0430111600	2"	5/10	



### Elbow Fitting M/F for Radiator with O-Ring

<b>0430</b>	Code	Size	Pack	€
	0430210400	1/2" <i>Plus</i>	10/80	
	0430210600	3/4"	10/50	
	0430210800	1"	5/25	



### Normal Conical Union F/F

<b>1190</b>	Code	Size	Pack	€
	1190020400	1/2"	10/100	
	1190020600	3/4"	10/60	
	1190020800	1"	5/30	
	1190021000	1 1/4"	5/20	
	1190021200	1 1/2"	5/20	
	1190021600	2"	5/20	

**Normal Valve for Tubes Protection**

0480	Code	Size	Pack	€
	0480040000	1/2"	5/20	
	0480060000	3/4"	5/20	
	0480080000	1"	5/20	
	0480100000	1 1/4"	5/15	
	0480120000	1 1/2"	2/10	
	0480160000	2"	2/10	

**Inside Spare Parts**

0480	Code	Size	Pack	€
	0480000060	3/16 Φ 22 x L 60	10/100	

**Plug for Panel Radiators**

0420	Code	Size	Pack	€
	0420004049	1/2" Chrome o-ring	10/500	

**Fittings for Panel Radiators**

0420	Code	Size	Pack	€
	0420043900	1/2" Chrome	10/500	
	0420043000	1/2" o-ring rotating	10/400	
	0420013000	1/8" long	50/1000	
	0420002079	Key nickel plated	50/2000	

**Safety Valves for Boilers**

2330	Code	Description	Pack	€
	2330030001	old type	10/100	
	2330000000	new type	10/70	
	2330040000	solar Female	10/200	
	2330050000	solar Male	10/200	



# Radiator Valves

4






**Plus** Radiator Angle Valve

3723	Code	Size	Pack	€
	37230000004	1/2" X 1/2"	1/50	


**Plus** Radiator Straight Valve

3713	Code	Size	Pack	€
	37130000004	1/2" X 1/2"	1/50	


**Plus** Radiator Angle Valve

3740	Code	Size	Pack	€
	37400000000	1/2" - M 24 X 19	1/50	


**Plus** Single pipe Radiator Valve M

3700	Code	Size	Pack	€
	37000001504	1/2" - M 24 X 19	1/15	



### Thermostatic Head Valve

3009	Code	Size	Pack	€
	30090500001	-	1	



### Plus Thermostatic Radiator Valve (Body)

3019	Code	Περιγραφή	Pack	€
	30190000001	Straight	50	
	30192000001	Angle	50	



### Brass Pipe Chrome Plated with coupling male

3005	Code	Size	Pack	€
	30050150000	Φ15 X 1/2"	10/100	



### Brass Pipe Chrome Plated

3005	Code	Size	Pack	€
	30050000001	Φ15 x 65 cm Brass	10	
	30050000002	Φ15 x 90 cm Brass	10	
	30050000006	Φ15 x 90 cm Iron	10	



### Normal Tester

3010	Code	Size	Pack	€
	30100000000	M 24 X 19	10/100	





# Manifolds

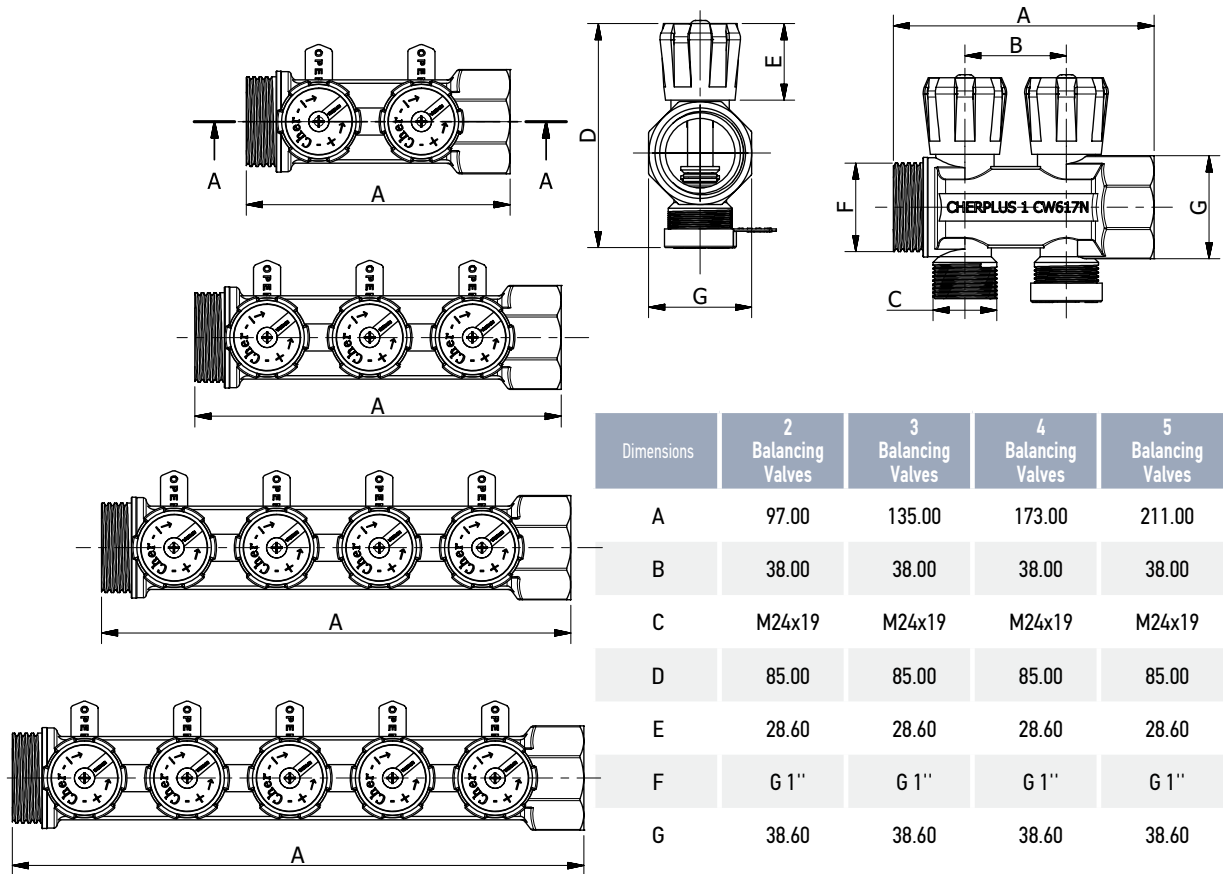






**Plus** Straight Manifold with Balancing Valves "EVO"

3860	Code	Size	Pack	€
	38600000802	1" X 2 Valves	1/30	
	38600000803	1" X 3 Valves	1/30	
	38600000804	1" X 4 Valves	1/20	
	38600000805	1" X 5 Valves	1/20	

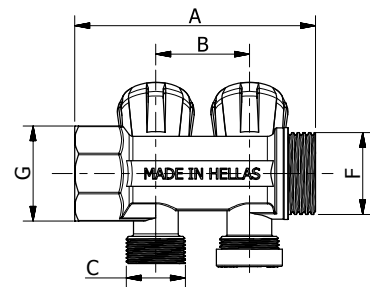
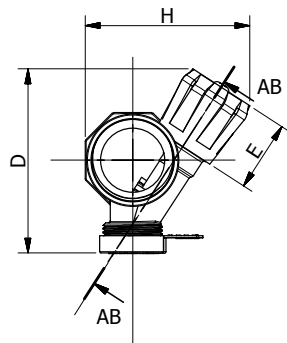
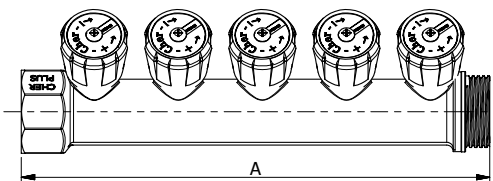
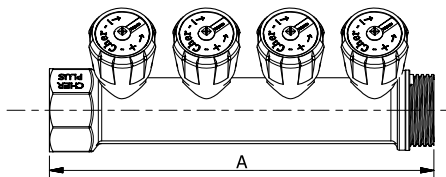
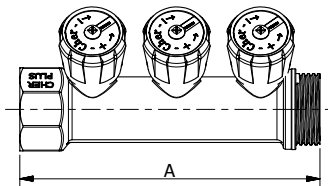
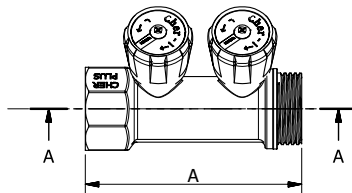


Dimensions	2 Balancing Valves	3 Balancing Valves	4 Balancing Valves	5 Balancing Valves
A	97.00	135.00	173.00	211.00
B	38.00	38.00	38.00	38.00
C	M24x19	M24x19	M24x19	M24x19
D	85.00	85.00	85.00	85.00
E	28.60	28.60	28.60	28.60
F	G 1"	G 1"	G 1"	G 1"
G	38.60	38.60	38.60	38.60



**Plus Angle Manifold with Balancing Valves "EVO"**

3850	Code	Size	Pack	€
	38500000802	1" X 2 Valves	1/30	
	38500000803	1" X 3 Valves	1/30	
	38500000804	1" X 4 Valves	1/20	
	38500000805	1" X 5 Valves	1/20	



Dimensions	2 Balancing Valves	3 Balancing Valves	4 Balancing Valves	5 Balancing Valves
A	97.00	135.00	173.00	211.00
B	38.00	38.00	38.00	38.00
C	M24x19	M24x19	M24x19	M24x19
D	76.00	76.00	76.00	76.00
E	28.60	28.60	28.60	28.60
F	G 1"	G 1"	G 1"	G 1"
G	38.60	38.60	38.60	38.60
H	71.50	71.50	71.50	71.50


**Plus 3/4" x 1/2" Brass Bar Manifold**

0440	Code	Size	Pack	€
	0440010600	1 way	1/80	
	0440020600	2 ways	1/50	
	0440030600	3 ways	1/30	
	0440040600	4 ways	1/20	
	0440050600	5 ways	1/15	
	0440060600	6 ways	1/10	
	0440070600	7 ways	1/10	
	0440080600	8 ways	1/10	
	0440090600	9 ways	1/10	
	0440100600	10 ways	1/10	

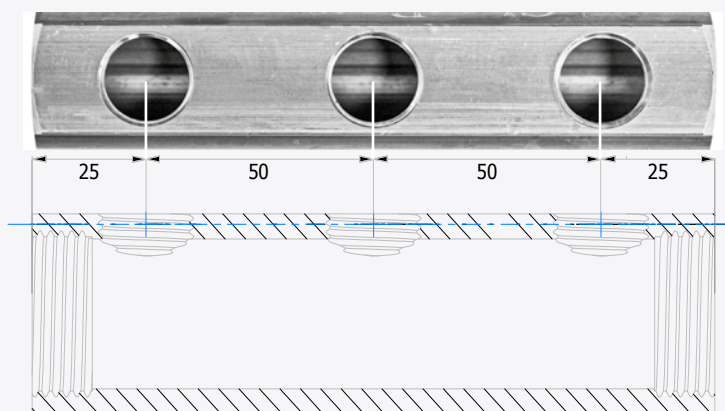

**Plus 1" x 1/2" Brass Bar Manifold**

0440	Code	Size	Pack	€
	0440010800	1 way	1/75	
	0440020800	2 ways	1/40	
	0440030800	3 ways	1/25	
	0440040800	4 ways	1/15	
	0440050800	5 ways	1/15	
	0440060800	6 ways	1/10	
	0440070800	7 ways	1/10	
	0440080800	8 ways	1/10	
	0440090800	9 ways	1/10	
	0440100800	10 ways	1/10	


**Plus 1 1/4" x 1/2" Brass Bar Manifold**

0440	Code	Size	Pack	€
	0440011000	1 way	1/60	
	0440021000	2 ways	1/30	
	0440031000	3 ways	1/20	
	0440041000	4 ways	1/15	
	0440051000	5 ways	1/10	
	0440061000	6 ways	1/10	
	0440071000	7 ways	1/10	
	0440081000	8 ways	1/10	
	0440091000	9 ways	1/10	
	0440101000	10 ways	1/10	

Distance  
centre to centre  
(mm)





<b>Plus</b>		<b>Reduced Nipple 24 X 19 o-ring</b>		
<b>1220</b>	Code	Size	Pack	€
	1220040070	1/2" - 24X19	10/200	
	1220040077	1/2" - 24X19 chr. plated	10/200	



<b>Plus</b>		<b>Reduced Nipple 1/2"x3/4 eurocono o- ring</b>		
<b>1220</b>	Code	Size	Pack	€
	1220040670	1/2" X 3/4"	10/200	
	1220040677	1/2" X 3/4" chr. plated	10/200	



		<b>Manifold Connection</b>		
<b>0470</b>	Code	Size	Pack	€
	0470060000	3/4"	10/300	
	0470080000	1"	10/150	
	0470100000	1 1/4"	10/120	



<b>Plus</b>		<b>Male Cup for Manifold</b>		
<b>1322</b>	Code	Size	Pack	€
	1322060700	3/4" o-ring	10/250	
	1322060709	3/4" o-ring chr. plated	10/250	
	1322080700	1" o-ring	10/150	
	1322080709	1" o-ring chr. plated	10/150	
	1322100700	1 1/4" o-ring	10/100	
	1322100709	1 1/4" o-ring chr. plated	10/100	



<b>Plus</b>		<b>Female Cup for Manifold</b>		
<b>1312</b>	Code	Size	Pack	€
	1312080709	1"	10/150	



Plus	Tee Male for Manifold			
0460	Code	Size	Pack	€
	0460040804	1/2" x 1" x 1/2"	5/70	
	0460040807	1/2" X 1" X 1/2" o-ring	5/70	
	0460040879	1/2" X 1" X 1/2" o-ring chr. plated	5/70	

**Bracket for Brass Bar Manifold (pair)**

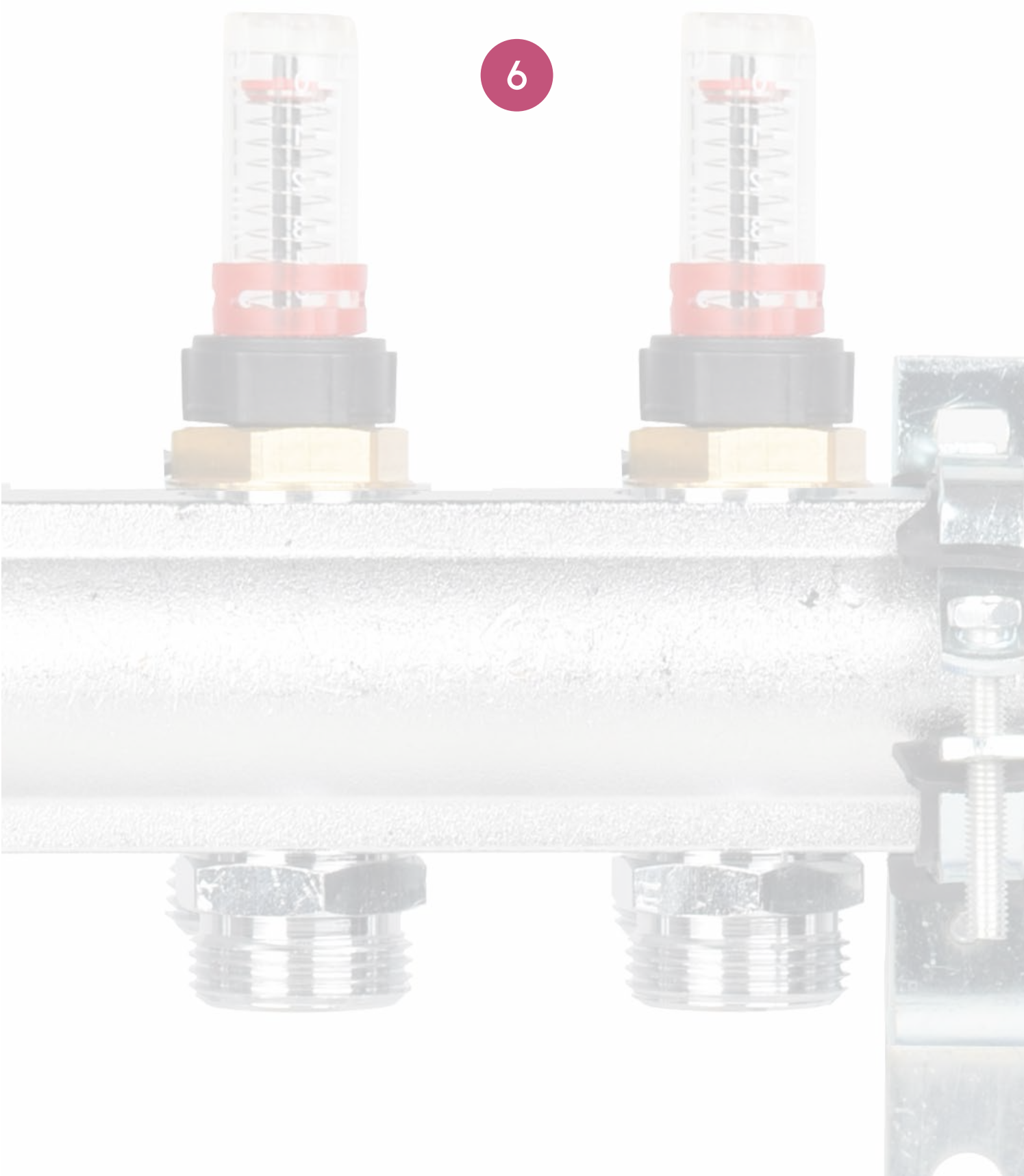


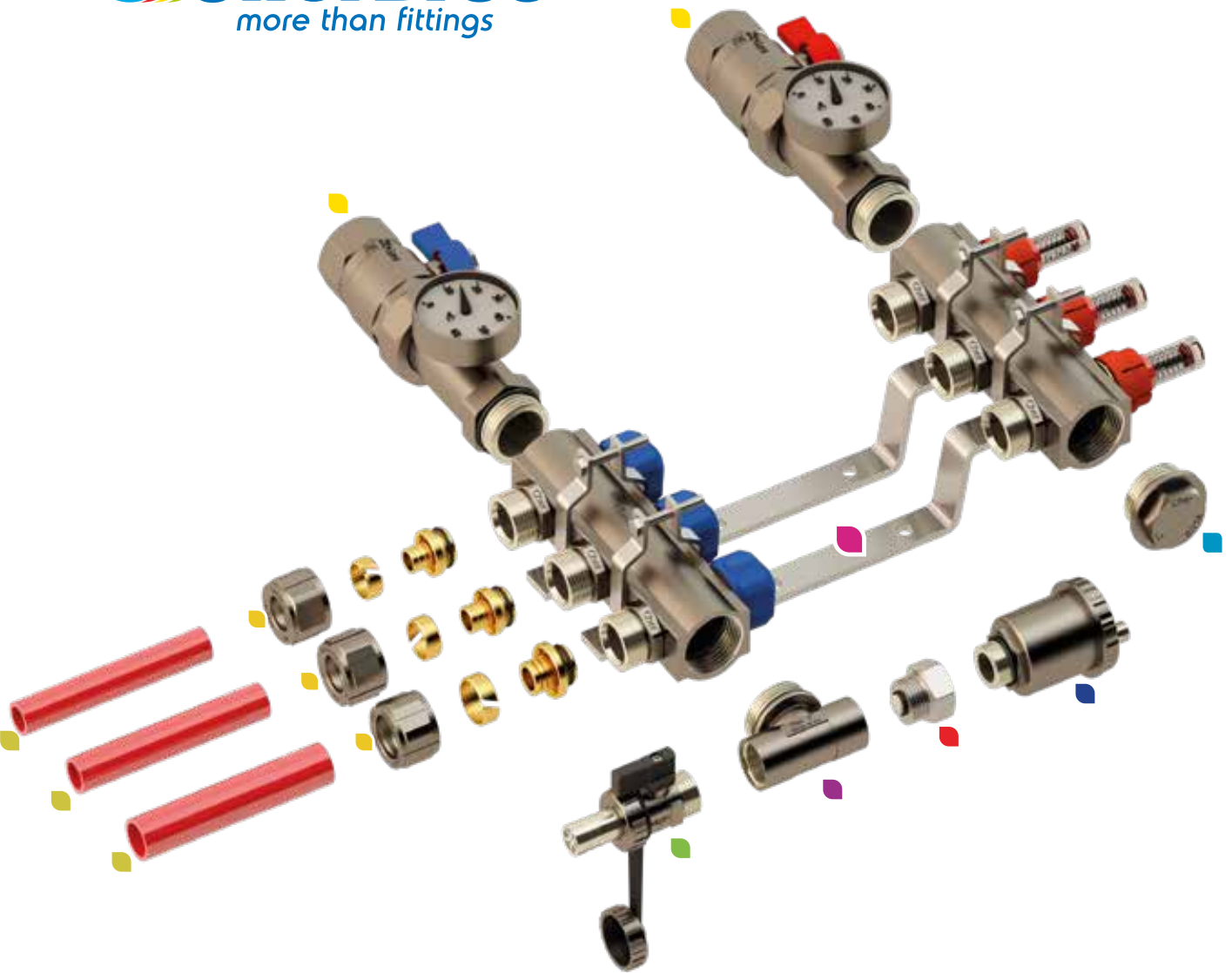
0490	Code	Size	Pack	€
	0490060810	3/4" - 1" - 1 1/4"	25	



# Underfloor Heating

6





- Group of Manifolds with flow meter 1"
- Ball valve with Thermometer
- Chrome Plated Nut 3/4" For Pex pipes
- Pert Pipe with Oxygen Barrier
- Boiler tank drain ball valve
- Tee Male for Manifold
- Stop Valve for automatic Airvent
- Air Vent Valve 1/2" Chrome Plated
- Male End Cup for Manifold


**Plus** Group of Manifolds with flow meter 1"

<b>3870</b>	Code	Size	Pack	€
	3870060802	2 ways	1	105,00
	3870060803	3 ways	1	140,00
	3870060804	4 ways	1	173,00
	3870060805	5 ways	1	208,00
	3870060806	6 ways	1	245,00
	3870060807	7 ways	1	280,00
	3870060808	8 ways	1	315,00
	3870060809	9 ways	1	353,00
	3870060810	10 ways	1	390,00
	3870060811	11 ways	1	425,00
	3870060812	12 ways	1	463,00


**Plus** Group of Manifolds hexagon socket 1"

<b>3871</b>	Code	Size	Pack	€
	38710060802	2 ways	1	68,00
	38710060803	3 ways	1	90,00
	38710060804	4 ways	1	113,00
	38710060805	5 ways	1	135,00
	38710060806	6 ways	1	158,00
	38710060807	7 ways	1	183,00
	38710060808	8 ways	1	205,00
	38710060809	9 ways	1	230,00
	38710060810	10 ways	1	255,00
	38710060811	11 ways	1	283,00
	38710060812	12 ways	1	308,00



**NEW**

1741

#### Ball Valve with Thermometer 1"

Code	Περιγραφή	Pack	€
17410100008	blue handle	1/15	
17410200008	red handle	1/15	



#### Thermoelectric Actuator 24V

8010	Code	Size	Pack	€
	8010023001	-	1	



#### Thermoelectric Actuator 230V

8010	Code	Size	Pack	€
	8010023002	-	1	

# Nuts for Compression Fittings

7






**Plus Chrome Plated Nut M 24X19 for Copper pipes**

3005	Code	Size	Pack	€
	30005001501	15 x 1	1/100	
	30005001601	16 x 1	1/100	
	30005001801	18 x 1	1/100	


**Plus Chrome Plated Nut M 24X19 for PEX pipes**

3002	Code	Size	Pack	€
	30021504250	15 x 2.5	1/100	
	30021604200	16 x 2.0	1/100	
	30021804200	18 x 2.0	1/100	
	30021804250	18 x 2.5	1/100	


**Plus Chrome Plated Nut M 24x19 for AL-PEX pipes**

3006	Code	Size	Pack	€
	30006001602	16.0 x 2.0	1/100	
	30006001622	16.2 x 2.6	1/100	
	30006001820	18.0 x 2.0	1/100	


**Plus Chrome Plated Nut 3/4" for Copper pipes**

3005	Code	Size	Pack	€
	30005061501	15 x 1	1/100	
	30005061601	16 x 1	1/100	
	30005061801	18 x 1	1/100	


**Plus Chrome Plated Nut 3/4" for PEX pipes**

3002	Code	Size	Pack	€
	30021506250	15 x 2.5	1/100	
	30021606200	16 x 2.0	1/100	
	30021706200	17 x 2.0	1/100	
	30021806200	18 x 2.0	1/100	
	30021806250	18 x 2.5	1/100	
	30022006200	20 x 2.0	1/100	


**Plus Chrome Plated Nut 3/4" for AL-PEX pipes**

3006	Code	Size	Pack	€
	30006061620	16 x 2.0	1/100	
	30006061820	18 x 2.0	1/100	
	30006062020	20 x 2.0	1/100	



# Compression Fittings for AL PEX Pipes

8





**Plus** Straight Fitting Male for AL PEX

0611	Code	Size	Pack	€
	0611160420	16 X 2.0 X 1/2"	10/200	
	0611180420	18 X 2.0 X 1/2"	10/150	
	0611200420	20 X 2.0 X 1/2"	10/100	
	0611260830	26 X 3.0 X 1"	5/50	
	0611320830	32 X 3.0 X 1"	5/50	



**Plus** Straight Fitting Female for AL PEX

0621	Code	Size	Pack	€
	0621160420	16 X 2.0 X 1/2"	10/150	
	0621180420	18 X 2.0 X 1/2"	10/150	
	0621200420	20 X 2.0 X 1/2"	10/100	
	0621260830	26 X 3.0 X 1"	5/50	
	0621320830	32 X 3.0 X 1"	5/40	



**Plus** Straight fitting Double for AL PEX

0631	Code	Size	Pack	€
	0631161620	16 X 2.0 X 16	10/150	
	0631181820	18 X 2.0 X 18	10/100	
	0631202020	20 X 2.0 X 20	10/100	
	0631262630	26 X 3.0 X 26	5/30	
	0631323230	32 X 3.0 X 32	5/30	





Plus		Elbow Female for AL PEX		
0711	Code	Size	Pack	€
	0711160420	16 X 2.0 X 1/2"	10/100	
	0711180420	18 X 2.0 X 1/2"	10/100	



Plus		Elbow Male for AL PEX		
0721	Code	Size	Pack	€
	0721160420	16 X 2.0 X 1/2"	10/150	
	0721180420	18 X 2.0 X 1/2"	10/100	



Plus		Elbow Double for AL PEX		
0731	Code	Size	Pack	€
	0731161620	16 X 2.0 x 16	10/100	
	0731181820	18 x 2.0 x 18	10/80	



**Plus Tee Female for AL PEX**

0811	Code	Size	Pack	€
	0811160420	16 X 2.0 x 1/2"	10/80	
	0811180420	18 X 2.0 x 1/2"	10/60	



**Plus Tee Double for AL PEX**

0831	Code	Size	Pack	€
	0831161620	16 X 2.0 X 16	10/80	
	0831181820	18 X 2.0 X 18	10/60	



**Plus Wall Plate Elbow Female for AL PEX**

0741	Code	Size	Pack	€
	0741160420	16 x 2.0 x 1/2"	10/80	
	0741180420	18 x 2.0 x 1/2"	10/80	

# Compression Fittings for PEX Pipes

9





**Plus** Straight Fitting Male for PEX

0610	Code	Size	Pack	€
	0610150425	15 X 2.5 X 1/2"	10/200	
	0610160421	16 X 2.0 X 1/2"	10/200	
	0610160422	16 X 2.2 X 1/2"	10/200	
	0610180420	18 X 2.0 X 1/2"	10/150	
	0610180425	18 X 2.5 X 1/2"	10/150	
	0610180620	18 X 2.0 X 3/4"	10/120	
	0610180625	18 X 2.5 X 3/4"	10/120	
	0610200420	20 X 2.0 X 1/2"	10/100	
	0610220430	22 X 3.0 X 1/2"	10/100	
	0610220630	22 X 3.0 X 3/4"	10/100	
	0610280830	28 X 3.0 X 1"	5/50	
	0610320830	32 X 3.0 X 1"	5/50	



**Plus** Straight Fitting Female for PEX

0620	Code	Size	Pack	€
	0620150425	15 X 2.5 X 1/2"	10/150	
	0620160420	16 X 2.0 X 1/2"	10/150	
	0620160422	16 X 2.2 X 1/2"	10/150	
	0620180420	18 X 2.0 X 1/2"	10/150	
	0620180425	18 X 2.5 X 1/2"	10/150	
	0620180620	18 X 2.0 X 3/4"	10/120	
	0620180625	18 X 2.5 X 3/4"	10/120	
	0620200420	20 X 2.0 X 1/2"	10/100	
	0620220430	22 X 3.0 X 1/2"	10/100	
	0620220630	22 X 3.0 X 3/4"	10/100	
	0620280830	28 X 3.0 X 1"	5/50	
	0620320830	32 X 3.0 X 1"	5/40	



**Plus** Straight Fitting Double for PEX

0630	Code	Size	Pack	€
	0630151525	15 X 15 X 2.5	10/150	
	0630161620	16 X 16 X 2.0	10/150	
	0630161622	16 X 16 X 2.2	10/150	
	0630181820	18 X 18 X 2.0	10/100	
	0630181825	18 X 18 X 2.5	10/100	
	0630202020	20 X 20 X 2.0	10/80	
	0630222230	22 X 22 X 3.0	5/60	
	0630282830	28 X 28 X 3.0	5/40	
	0630323230	32 X 32 X 3.0	5/40	



**Plus Elbow Female for PEX**

0710	Code	Size	Pack	€
	0710150425	15 X 2.5 X 1/2"	10/100	
	0710160420	16 X 2.0 X 1/2"	10/100	
	0710180420	18 X 2.0 X 1/2"	10/100	
	0710180425	18 X 2.5 X 1/2"	10/100	
	0710220630	22 X 3.0 X 3/4"	10/60	
	0710280830	28 X 3.0 X 1"	5/40	
	0710320830	32 X 3.0 X 1"	5/30	



**Plus Elbow Male for PEX**

0720	Code	Size	Pack	€
	0720150425	15 X 2.5 X 1/2"	10/150	
	0720160420	16 X 2.0 X 1/2"	10/150	
	0720180420	18 X 2.0 X 1/2"	10/100	
	0720180425	18 X 2.5 X 1/2"	10/100	
	0720220630	22 X 3.0 X 3/4"	10/70	
	0720280830	28 X 3.0 X 1"	5/40	
	0720320830	32 X 3.0 X 1"	5/30	



**Plus Elbow Double for PEX**

0730	Code	Size	Pack	€
	0730151525	15 X 15 X 2.5	10/100	
	0730161620	16 X 16 X 2.0	10/100	
	0730181820	18 X 18 X 2.0	10/80	
	0730181825	18 X 18 X 2.5	10/80	
	0730222230	22 X 22 X 3.0	5/60	
	0730282830	28 X 28 X 3.0	5/30	
	0730323230	32 X 32 X 3.0	5/25	





**Plus Tee Female for PEX**

0810	Code	Size	Pack	€
	0810150425	15 X 2.5 X 1/2"	10/80	
	0810160420	16 X 2.0 X 1/2"	10/80	
	0810180420	18 X 2.0 X 1/2"	10/60	
	0810180425	18 X 2.5 X 1/2"	10/60	
	0810220630	22 X 3.0 X 3/4"	5/40	
	0810280830	28 X 3.0 X 1"	5/20	
	0810320830	32 X 3.0 X 1"	5/15	



**Plus Tee Double for PEX**

0830	Code	Size	Pack	€
	0830151525	15 X 2.5 X 15	10/80	
	0830161620	16 X 2.0 X 16	10/80	
	0830181820	18 X 2.0 X 18	10/60	
	0830181825	18 X 2.5 X 18	10/60	
	0830222230	22 X 3.0 X 22	5/40	
	0830282830	28 X 3.0 X 28	5/20	
	0830323230	32 X 3.0 X 32	5/15	



**Plus Wall Plate Elbow Female for PEX**

0740	Code	Size	Pack	€
	0740150425	15 X 2.5 X 1/2"	10/80	
	0740160420	16 X 2.0 X 1/2"	10/80	
	0740180420	18 X 2.0 X 1/2"	10/80	
	0740180425	18 X 2.5 X 1/2"	10/80	



**Normal** Double Wallplate Bracket for PEX

0850	Code	Size	Pack	€
	0850241909	1/2" - 24 x19	1/40	

**Pipe Extractor**



0640	Code	Size	Pack	€
	0640152500	15X2.5	1/100	
	0640162000	16X2.0	1/100	
	0640182000	18X2.0	1/100	
	0640182500	18X2.5	1/100	



**ΕΒΕΤΑΜ** ΕΡΕΥΝΗΤΙΚΟ ΕΠΙΧΕΙΡΗΣΙΟ ΚΑΙ ΤΕΧΝΟΛΟΓΙΚΟ ΚΕΝΤΡΟ  
 ΕΡΕΥΝΗΤΙΚΟ ΚΑΙ ΤΕΧΝΟΛΟΓΙΚΟ ΚΕΝΤΡΟ ΣΑΡΑΝΤΕΣ  
 MATERIALS RESEARCH & TECHNOLOGY CENTER S.A.

**ΕΚΘΕΣΗ ΔΟΚΙΜΩΝ / TEST REPORT** ΑΙΑ : 6884-R-14

ΚΩΔ. ΕΡΓΟΥ : 005770  
 Project Cod. No

1. ΠΕΛΑΤΗΣ - ΚΥΡΙΟΣ ΤΟΥ ΕΡΓΟΥ / CUSTOMER - OWNER  
 Επιχείρηση / Name: ΑΦΟΙ Κ. ΧΕΡΟΥΒΕΜ ΑΒΕΕ  
 Διεύθυνση / Address: CHERBROSS SA  
 13241 ΑΓΙΑΛΕΩ ΑΤΤΙΚΗΣ

2. ΣΤΟΙΧΕΙΑ ΤΟΥ ΕΡΓΟΥ / PROJECT INFORMATION  
 Έργο / Project: ΓΥΤΟΠΟΙΗΣΗ ΕΞΑΡΤΗΜΑΤΩΝ ΜΗΧΑΝΙΚΗΣ ΣΥΣΤΗΜΗΣ ΜΕ ΠΛΑΣΤΙΚΟΥΣ ΣΩΛΗΝΕΣ PEX  
 Κατασκευαστής / Manufacturer: ΑΦΟΙ Κ. ΧΕΡΟΥΒΕΜ ΑΒΕΕ CHERBROSS SA

3. ΣΤΟΙΧΕΙΑ ΕΛΕΓΧΟΥ / TESTING ELEMENTS  
 Ημερομηνία Ελέγχου / Date of Testing: ΟΚΤΩΒΡΙΟΣ 2013 - ΑΥΓΟΥΣΤΟΣ 2014  
 Σκοπός Επεξεύρωσης / Subject of Inspection: ΠΕΤΙΟΠΟΙΗΣΗ ΕΞΑΡΤΗΜΑΤΩΝ ΑΠΟ ΧΡΑΜΑ ΧΑΛΚΟΥ ΜΕ ΑΚΡΟ ΓΙΑ ΜΗΧΑΝΙΚΗ ΣΥΣΤΗΜΗ ΜΕ ΠΛΑΣΤΙΚΟΥΣ ΣΩΛΗΝΕΣ PEX  
 Είδος δοκιμών / Type of Testing:  
 • ΟΠΤΙΚΟΣ ΕΛΕΓΧΟΣ  
 • ΕΛΕΓΧΟΣ ΠΡΟΣΤΗΣ ΥΛΗΣ  
 • ΔΙΑΣΤΑΣΙΑΚΟΣ ΕΛΕΓΧΟΣ  
 • ΔΟΚΙΜΗ ΣΥΣΤΑΝΤΟΤΗΤΑΣ ΣΥΝΔΕΣΗ ΥΠΟ ΕΞΩΤΕΡΙΚΗ ΠΡΕΣΣΗ  
 • ΔΟΚΙΜΗ ΑΝΤΙΣΤΑΣΗΣ ΣΥΝΔΕΣΗ ΣΕ ΒΑΣΗ  
 • ΔΟΚΙΜΗ ΣΥΝΔΕΣΗΣ ΣΕ ΚΥΚΛΩΝ ΓΡΕΣΗ  
 Απαιτήσεις / Προδιαγραφές / Specifications / Requirements: ΕΛΟΤ ΕΝ 1254 03  
 Εξοπλισμός που Χρησιμοποιήθηκε / Equipment Used: ΕΞΟΠΛΙΣΜΟΣ ΕΡΓΑΣΤΗΡΙΟΥ ΕΒΕΤΑΜ ΑΕ  
 Τοποθεσία Ελέγχου / Place of Testing: ΕΡΓΑΣΤΗΡΙΑ ΕΒΕΤΑΜ ΑΕ Α' ΒΙ. ΠΕ. ΒΟΛΟΥ & ΒΙ. ΠΕ ΣΙΝΔΟΥ

**ΔΙΑΣΕΝ ΕΓΚΥΡΟΤΗΤΑΣ ΑΠΟΤΕΛΕΣΜΑΤΩΝ ΔΟΚΙΜΗΣ**  
 Τα αποτελέσματα της παρούσας δοκιμής απορρέουν αποκλειστικά και ΜΟΝΟΝ τα δειγμάτια που υποβλήθηκαν σε αυτήν την δοκιμή.

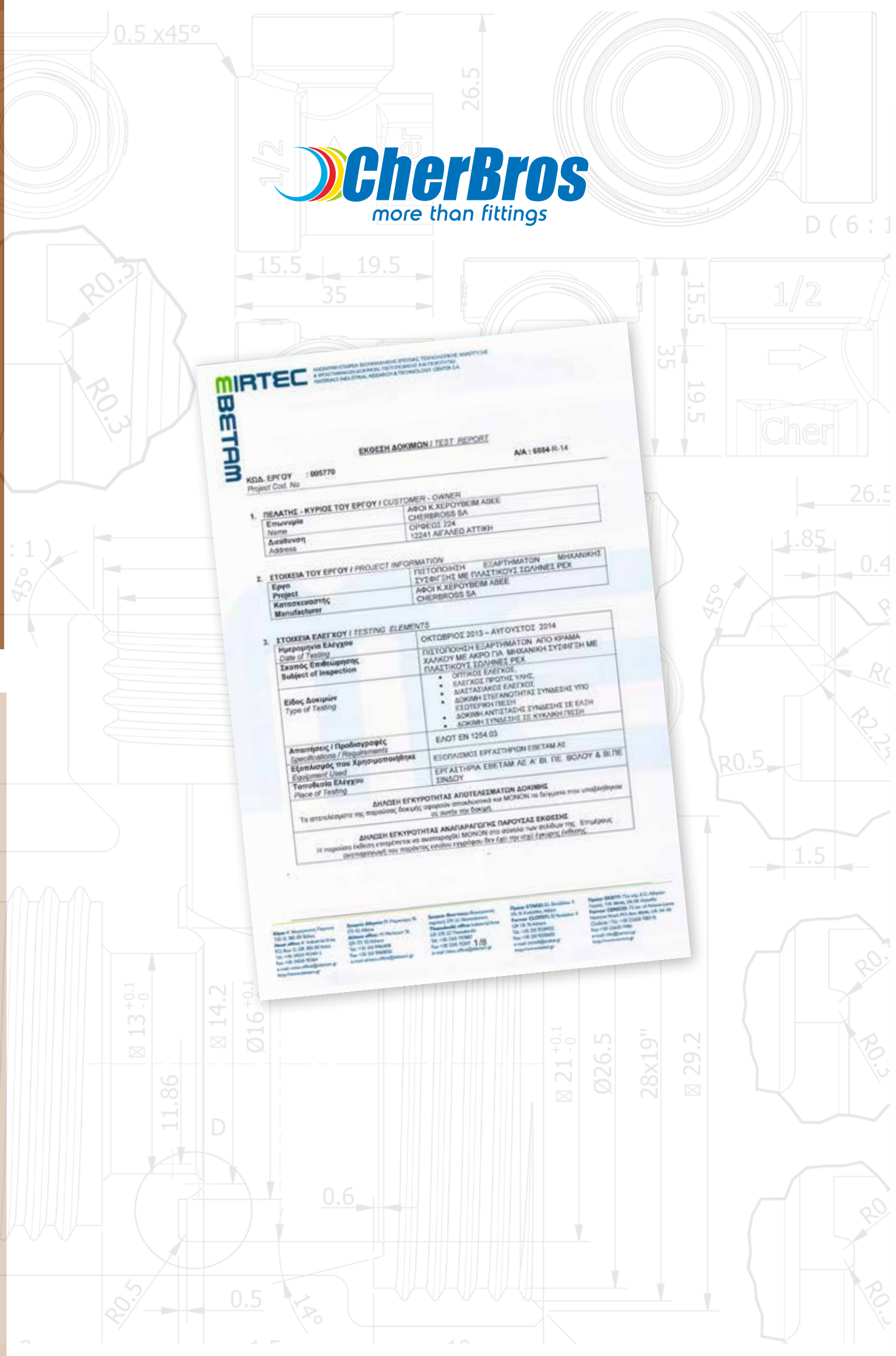
**ΔΙΑΣΕΝ ΕΓΚΥΡΟΤΗΤΑΣ ΑΝΑΠΑΡΑΓΩΓΗΣ ΠΑΡΟΥΣΑΣ ΕΚΘΕΣΗΣ**  
 Η παρούσα έκθεση επιβεβαιώνει να ανταποκρίνεται ΜΟΝΟΝ στο σύνολο των ελλείπων της. Επιτρέφεται αναπαραγωγή του παρόντος εντύπου εφόσον δεν έχει την σφραγίδα έγκρισης.

ΕΒΕΤΑΜ - ΕΡΕΥΝΗΤΙΚΟ ΚΕΝΤΡΟ  
 135 02 00 00 Βόλος  
 Head office / Γενική Διοίκηση  
 825 Σουλίου (απ. 300) 40 Βόλος  
 Tel: +30 21024 00001  
 Fax: +30 21024 00000  
 e-mail: info@ebetam.gr  
 info@ebetam.com.gr

ΕΒΕΤΑΜ ΑΒΕΕ - ΠΡΟΪΟΝΤΑ  
 170 02 Βόλος  
 Διεύθυνση Αποστολές / Π. Περαίας 18  
 GR 170 02 Περαία  
 Tel: +30 210 9104000  
 Fax: +30 210 9104000  
 e-mail: orders@ebetam.gr

ΕΒΕΤΑΜ - ΕΡΕΥΝΗΤΙΚΟ ΚΕΝΤΡΟ  
 135 02 00 00 Βόλος  
 825 Σουλίου (απ. 300) 40 Βόλος  
 Tel: +30 21024 00001  
 Fax: +30 21024 00000  
 e-mail: info@ebetam.gr

ΕΒΕΤΑΜ - ΕΡΕΥΝΗΤΙΚΟ ΚΕΝΤΡΟ  
 135 02 00 00 Βόλος  
 825 Σουλίου (απ. 300) 40 Βόλος  
 Tel: +30 21024 00001  
 Fax: +30 21024 00000  
 e-mail: info@ebetam.gr



# Compression Fittings for Copper Pipes

10





**Straight Fitting Male for Cu pipes**

0510	Code	Size	Pack	€
	051015040Δ	15 x 1/2" <b>Plus</b>	10/200	
	051016040Δ	16 x 1/2" <b>Plus</b>	10/200	
	051018040Δ	18 x 1/2" <b>Plus</b>	10/150	
	051018060Δ	18 x 3/4"	5/120	
	051022040Δ	22 x 1/2"	5/120	
	051022060Δ	22 x 3/4"	5/100	
	051022080Δ	22 x 1"	10/80	
	051028080Δ	28 x 1"	10/60	



**Straight Fitting Female for Cu pipes**

0520	Code	Size	Pack	€
	052015040Δ	15 x 1/2" <b>Plus</b>	10/150	
	052016040Δ	16 x 1/2" <b>Plus</b>	10/150	
	052018040Δ	18 x 1/2" <b>Plus</b>	10/150	
	052018060Δ	18 x 3/4"	10/100	
	052022060Δ	22 x 3/4"	10/100	
	052022080Δ	22 x 1"	5/80	
	052028080Δ	28 x 1"	10/50	



**Straight Fitting Double for Cu pipes**

0530	Code	Size	Pack	€
	053015150Δ	15 x 15 <b>Plus</b>	10/150	
	053016160Δ	16 x 16 <b>Plus</b>	10/150	
	053018180Δ	18 x 18 <b>Plus</b>	10/100	
	053022220Δ	22 x 22 <b>Plus</b>	10/100	
	053028280Δ	28 x 28	10/50	





**Plus Male Fitting Chrome Plated Teflon PTFE**

0550	Code	Size	Pack	€
	0550030400	Φ 10 x 1/2"	10/250	



**Plus Male Fitting Chrome Plated Nut+Rubber+Brass Ring**

0570	Code	Size	Pack	€
	0570030407	Φ 10 x 1/2"	10/250	



**Plus Female Fitting Chrome Plated Teflon PTFE**

0560	Code	Size	Pack	€
	0560030407	Φ 10 x 1/2"	10/250	



**Plus Female Fitting Chrome Plated Nut+Rubber+Brass Ring**

0580	Code	Size	Pack	€
	0580030407	Φ 10 x 1/2"	10/250	

**Tubes Support for Cu pipes**



1050	Code	Size	Pack	€
	1050150000	15	50/1000	
	1050160000	16	50/1000	
	1050180000	18	50/750	
	1050220000	22	10/300	



Αποί Κ.ΧΕΡΟΥΒΕΙΜ ΑΒΕΕ, Βιομηχανία αεζοθέρμαντων εξαρτημάτων για συστήματα θέρμανσης θέρμανσης  
 CHERBROS S.A., Brass fittings Manufacturer for plumbing and heating installations

Ιανουάριος 2019

Τεχνικό Εγχειρίδιο για : CHERBROS Ρακόρ  
 Μηχανικής Σύσφιξης για Χαλκοσωλήνες, PLUS

Ρακόρ Μηχανικής Σύσφιξης Αρσενικό



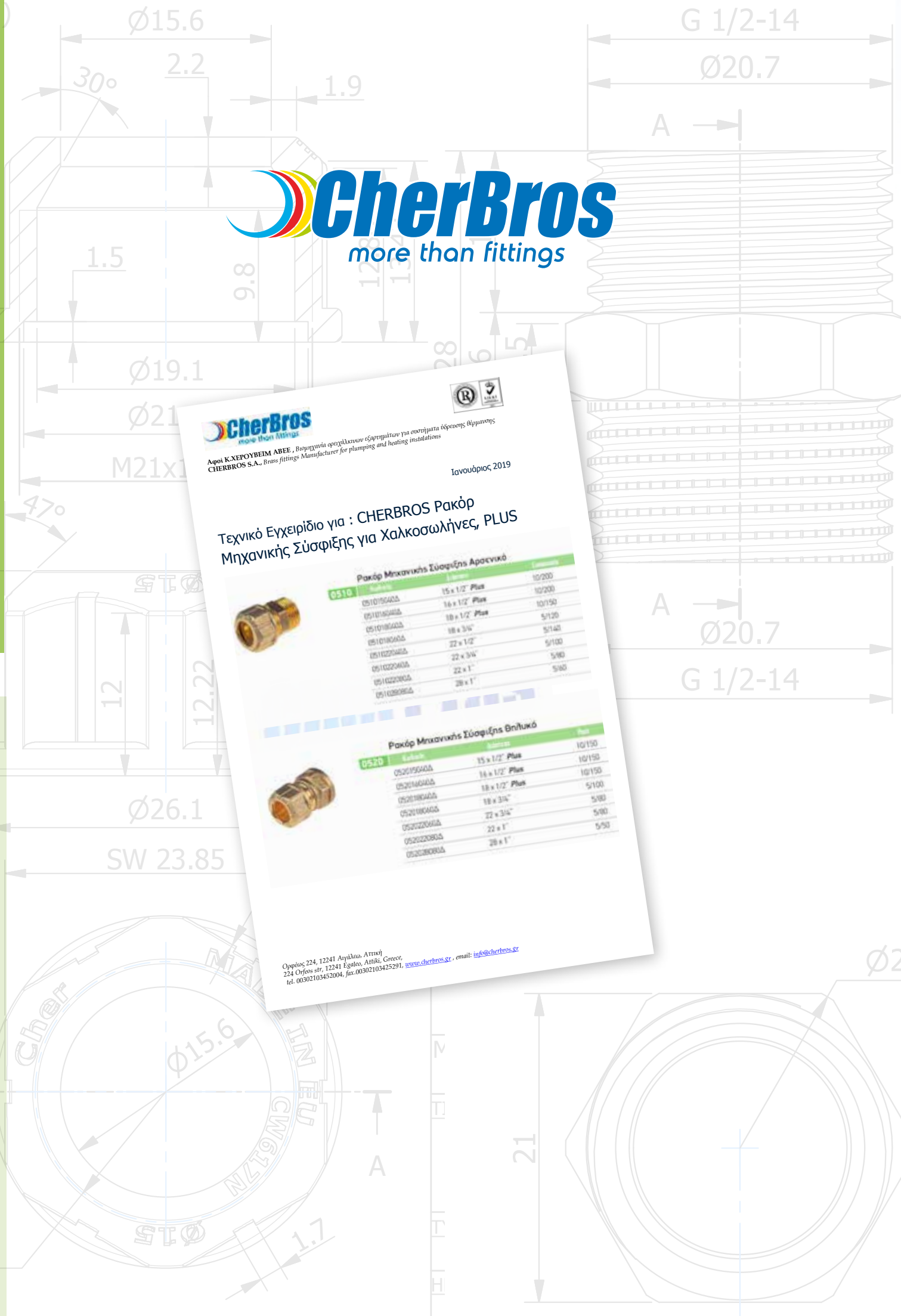
0510	Μοντέλο	Μέγεθος	Ποσότητα
0510150400		15 x 1/2" Plus	10/200
0510160400		16 x 1/2" Plus	10/200
0510180400		18 x 1/2" Plus	10/150
0510180400		18 x 3/4"	5/120
0510220400		22 x 1/2"	5/140
0510220400		22 x 3/4"	5/100
0510220800		22 x 1"	5/80
0510280800		28 x 1"	5/80

Ρακόρ Μηχανικής Σύσφιξης Θηλυκό



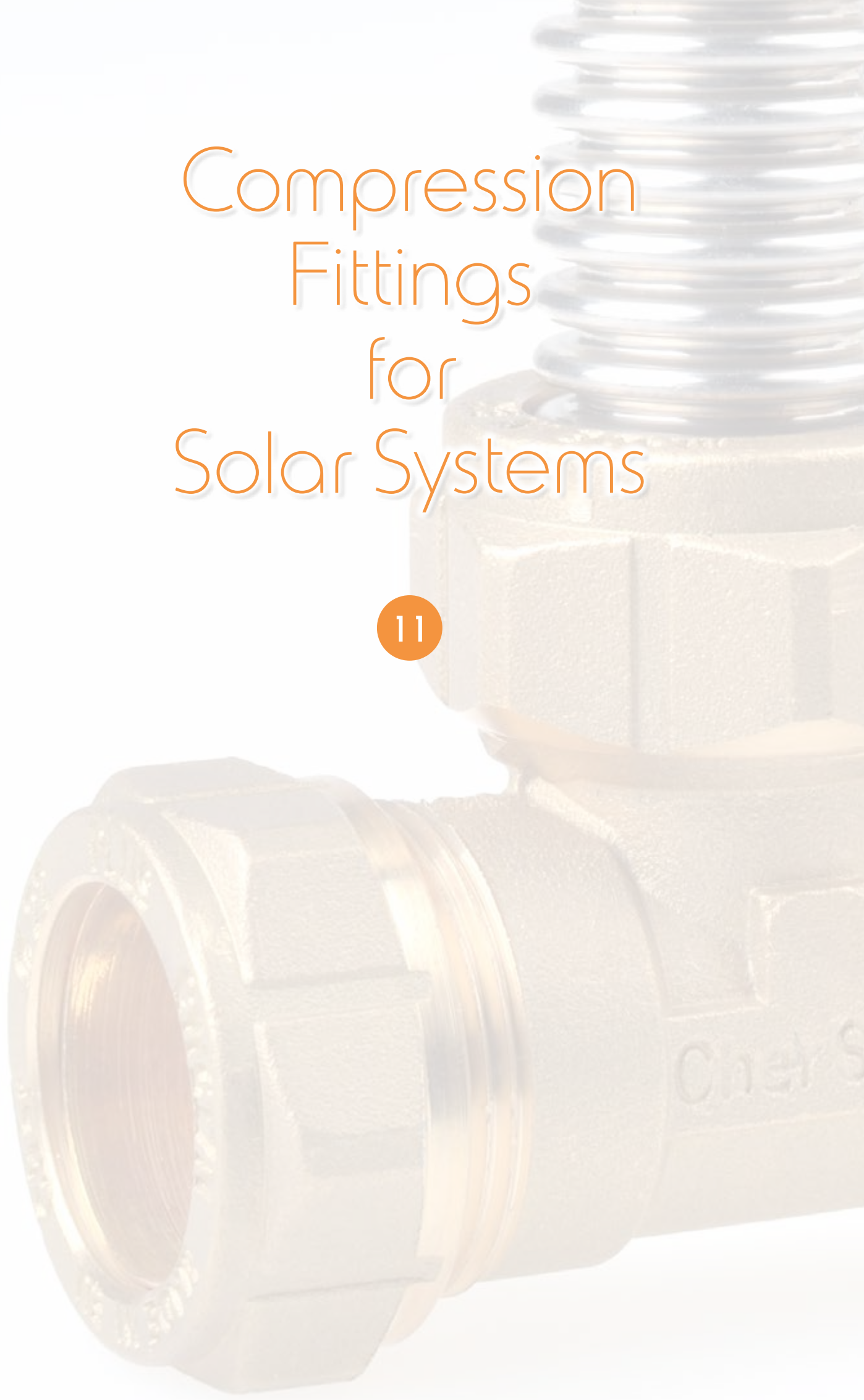
0520	Μοντέλο	Μέγεθος	Ποσότητα
0520150400		15 x 1/2" Plus	10/150
0520160400		16 x 1/2" Plus	10/150
0520180400		18 x 1/2" Plus	10/150
0520180400		18 x 3/4"	5/80
0520220400		22 x 3/4"	5/80
0520220800		22 x 1"	5/80
0520280800		28 x 1"	5/50

Οδός 224, 12241 Αγίαλκια - Αττική  
 224 Orfeas str, 12241 Egaleo, Attiki, Greece,  
 tel. 00302103452004, fax.00302103425291, [www.cherbros.gr](http://www.cherbros.gr), email: [info@cherbros.gr](mailto:info@cherbros.gr)



# Compression Fittings for Solar Systems

11





Plus		Compeesion Plug Ø22		
4001	Code	Size	Pack	€
	4001020000	-	200	



Plus		Elbow 3/4" Male - INOX		
4003	Code	Size	Pack	€
	4003010000	-	80	



Plus		Elbow 3/4 " Male - INOX DN16		
4003	Code	Size	Pack	€
	4003121600	-	80	



Plus		Elbow 3/4 " Female - INOX		
4003	Code	Size	Pack	€
	4003020000	-	80	



Plus		Elbow 3/4 " Female - INOX DN16		
4003	Code	Size	Pack	€
	4003021600	-	80	



Plus	Elbow 3/4" Female - $\Phi$ 22 Cu			
0540	Code	Size	Pack	€
	0540220611	-	80	6,20



Plus	Elbow PEX Cu			
4003	Code	Size	Pack	€
	4003050000	$\Phi$ 18 - 2.5 PEX - $\Phi$ 15 CU	10/100	
	4003060000	$\Phi$ 18 - 2.5 PEX - $\Phi$ 18 CU	80	
	4003030000	$\Phi$ 22 - 3.0 PEX - $\Phi$ 22 CU	70	



Plus	Elbow $\Phi$ 22 Cu-INOX			
4003	Code	Size	Pack	€
	4003040000	-	80	



Plus	Elbow $\Phi$ 22 Cu-INOX DN 16			
4003	Code	Size	Pack	€
	4003041600	-	70	



Plus	Elbow $\Phi$ 22 Cu- $\Phi$ 22 Cu			
4003	Code	Size	Pack	€
	400302200000	-	80	





<b>Plus</b>	<b>Tee Female Filling 3/4" - INOX DN16 -1/2"</b>			
<b>4004</b>	Code	Size	Pack	€
	4004011600	-	70	



<b>Plus</b>	<b>Tee Ø22 Cu INOX - Ø22 Cu</b>			
<b>4004</b>	Code	Size	Pack	€
	4004020000	-	40	



<b>Plus</b>	<b>Tee Ø22 Cu -INOX DN16 - Ø22 Cu</b>			
<b>4004</b>	Code	Size	Pack	€
	4004021600	-	40	



<b>Plus</b>	<b>Tee Ø22 Cu-22x3.0 PEX - Ø22Cu</b>			
<b>4004</b>	Code	Size	Pack	€
	4004030000	-	50	



**Plus** Straight Fitting 3/4" F - INOX

4008	Code	Size	Pack	€
	4008010000	-	120	



**Plus** Fitting 3/4" Female - INOX DN16

4008	Code	Size	Pack	€
	4008011600	-	120	



**Plus** Straight Fitting double  $\Phi 22$  Cu -  $\Phi 22$  Cu

0530	Code	Size	Pack	€
	053022220Δ	-	120	



**Plus** Set / Cross fitting with  $\Phi 22$

0411	Code	Size	Pack	€
	4011000020	-	1	



**Plus** Cross fitting with  $\Phi 22$  union

0411	Code	Size	Pack	€
	4011000022	-	100	



**Plus** Temperature sensor probe with copper o'ring

4010	Code	Size	Pack	€
	4010041211	1/2"	1	



**Plus** Air Vent with copper o'ring

4010	Code	Size	Pack	€
	4010010004	1/2"	1	

# Threaded Fittings

12


**Plus Elbow Female**

1110	Code	Size	Pack	€
	1110040407	1/2"	10/100	
	1110040479	1/2" chr. plated	10/100	
	1110060607	3/4"	10/60	
	1110080807	1"	5/40	
	1110101007	1 1/4"	25	
	1110121207	1 1/2"	20	
	1110161607	2"	10	


**Plus Elbow Male-Female**

1120	Code	Size	Pack	€
	1120040417	1/2"	10/100	
	1120040479	1/2" chr. plated	10/100	
	1120060607	3/4"	10/70	
	1120080807	1"	5/40	
	1120101007	1 1/4"	25	
	1120121207	1 1/2"	20	
	1120161607	2"	10	


**Plus Tee Female**

1130	Code	Size	Pack	€
	1130040407	1/2"	10/80	
	1130040479	1/2" chr. plated	10/80	
	1130060607	3/4"	10/50	
	1130080807	1"	5/30	
	1130101007	1 1/4"	20	
	1130121207	1 1/2"	16	
	1130161607	2"	10	


**Plus Socket F-F**

1140	Code	Size	Pack	€
	1140040000	1/2"	10/150	
	1140060000	3/4"	10/100	
	1140080000	1"	10/70	
	1140100000	1 1/4"	5/40	





**Plus Reduced Socket**

<b>1150</b>	Code	Size	Pack	€
	1150040300	1/2" - 3/8"	10/250	
	1150060407	3/4" - 1/2"	10/150	
	1150080407	1" - 1/2"	10/100	
	1150080607	1" - 3/4"	10/80	
	1150100807	1 1/4" - 1"	10/50	



**Plus Reduced Nipple**

<b>1230</b>	Code	Size	Pack	€
	1230040607	3/4" - 1/2"	10/250	
	1230040807	1" - 1/2"	10/150	
	1230060807	1" - 3/4"	10/150	
	1230041000	1 1/4" - 1/2"	5/80	
	1230061000	1 1/4" - 3/4"	5/80	
	1230081007	1 1/4" - 1"	10/80	
	1230041200	1 1/2" - 1/2"	10/50	
	1230061200	1 1/2" - 3/4"	10/50	
	1230081200	1 1/2" - 1"	10/50	
	1230101200	1 1/2"-11/4"	5/50	
	1230041607	2" - 1/2"	5/40	
	1230081607	2" - 1"	5/40	
	1230101600	2" - 1 1/4"	5/40	
	1230121600	2" - 1 1/2"	5/40	


**Plus Reduced Nipple**

1220	Code	Size	Pack	€
	1220030407	1/2" X 3/8"	10/300	
	1220030401	1/2" X 3/8" w/cone	10/300	
	1220030479	1/2" X 3/8" chr. plated	10/300	
	1220030409	1/2" X 3/8" chr. plated w/cone	10/300	
	1220040607	3/4" X 1/2"	10/200	
	1220040600	3/4" X 1/2" chr. plated	10/200	
	1220040807	1" X 1/2"	10/100	
	1220060807	1" X 3/4"	10/100	
	1220041007	1 1/4" X 1/2"	10/80	
	1220061007	1 1/4" X 3/4"	5/60	
	1220081007	1 1/4" X 1"	10/50	


**Plus Double Nipple**

1210	Code	Size	Pack	€
	1210040417	1/2" - 1/2"	10/250	
	1210040479	1/2" - 1/2" chr. plated	10/250	
	1210060617	3/4" - 3/4"	10/150	
	1210080807	1" - 1"	10/80	
	1210101007	1 1/4" - 1 1/4"	5/40	
	1210121207	1 1/2" - 1 1/2"	5/30	
	1210161607	2" - 2"	5/20	


**Plus Hexagonal Coupling M/F**

1240	Code	Size	Pack	€
	1240030477	1/2" - 3/8"	10/300	
	1240030400	1/2" - 3/8" w/cone	10/300	
	1240030479	1/2" - 3/8" chr. plated	10/300	
	1240030409	1/2" - 3/8" chr. plated w/cone	10/300	
	1240047700	1/2" - 1/2"	10/200	
	1240047709	1/2" - 1/2" chr. plated	10/200	
	1240060670	3/4" - 3/4"	10/150	
	1240060679	3/4" - 3/4" chr. plated	10/150	
	1240080470	1" - 1/2"	10/100	
	1240080479	1" - 1/2" chr. plated	10/100	
	1240080670	1" - 3/4"	10/100	
	1240080679	1" - 3/4" chr. plated	10/100	
	1240080870	1" - 1"	10/100	
	1240080879	1" - 1" chr. plated	10/100	



**Plus Coupling M/F Chrome plated**

1250	Code	Size	Pack	€
	1250040000	1/2" x 25	10/150	
	1250040900	1/2" x 25 chr. plated	10/150	
	1250040710	1/2" x 40	10/150	
	1250040719	1/2" x 40 chr. plated	10/150	



**Plus Female Cup**

1310	Code	Size	Pack	€
	1310040700	1/2"	10/350	
	1310060700	3/4"	10/250	
	1310080700	1"	10/150	
	1310080709	1" chr. plated	10/150	
	1310100700	1 1/4"	10/100	
	1310120700	1" 1/2"	10/80	



**Plus Male Cup**

1320	Code	Size	Pack	€
	1320040000	1/2"	10/300	
	1320060000	3/4"	10/250	
	1320080001	1"	10/150	
	1320080900	1" chr. plated	10/150	
	1320100000	1 1/4"	10/100	
	1320120000	1 1/2"	10/50	


**Plus Tube Nipple M - M 1/2"**

1260	Code	Size	Pack	€
	1260040500	1/2" x 50	10/150	
	1260040600	1/2" x 60	10/150	
	1260040700	1/2" x 70	10/150	
	1260040800	1/2" x 80	10/100	
	1260041000	1/2" x 100	10/100	
	1260041500	1/2" x 150	5/80	
	1260042000	1/2" x 200	5/50	


**Plus Tube Nipple M - M 3/4"**

1260	Code	Size	Pack	€
	1260060600	3/4" x 60	10/100	
	1260060700	3/4" x 70	10/80	
	1260060800	3/4" x 80	5/70	
	1260061000	3/4" x 100	5/50	
	1260061500	3/4" x 150	5/50	
	1260062000	3/4" x 200	5/40	


**Plus Tube Nipple M - M 1"**

1260	Code	Size	Pack	€
	1260080600	1" x 60	5/60	
	1260081000	1" x 100	5/40	
	1260081500	1" x 150	5/30	
	1260082000	1" x 200	5/20	



**Plus** **Tube Nipple M - M 1 1/4" - 2"**

1260	Code	Size	Pack	€
	1260101000	1 1/4" x 100	5/25	
	1260121000	1 1/2" x 100	5/20	
	1260161000	2" x 100	2/12	



**Plus** **Running Nipple**

1270	Code	Size	Pack	€
	127004060	1/2" x 60	10/150	
	1270041000	1/2" x 100	10/100	
	1270060600	3/4" x 60	10/100	
	1270061000	3/4" x 100	10/60	
	1270081000	1" x 100	5/40	



**Plus** **Tail with Loose Nut (pair)**

1330	Code	Size	Pack	€
	1330040601	1/2"x3/4" short	2/75	
	1330040602	1/2"x3/4" long	2/40	
	1330080601	1" x 3/4"	2/30	



**Plus** **Nut**

1340	Code	Size	Pack	€
	1340040007	1/2"	10/500	
	1340060007	3/4"	10/400	
	1340080007	1"	10/200	
	1340100007	1 1/4"	10/150	
	1340120007	1 1/2"	10/80	
	1340160007	2"	10/50	




**Plus** Extension 1/2" Chrome Plated

1380	Code	Size	Pack	€
	1380100400	1/2" x 10	10/300	
	1380150400	1/2" x 15	10/250	
	1380200400	1/2" x 20	10/200	
	1380250400	1/2" x 25	10/200	
	1380300400	1/2" x 30	10/150	
	1380400400	1/2" x 40	10/100	
	1380500400	1/2" x 50	10/100	
	1380650400	1/2" x 65	10/80	
	1380800400	1/2" x 80	5/70	
	1380100040	1/2" x 100	5/50	


**Plus** Extension 3/4" Chrome Plated

1380	Code	Size	Pack	€
	1380100600	3/4" x 10	10/200	
	1380150600	3/4" x 15	10/150	
	1380200600	3/4" x 20	10/150	
	1380250600	3/4" x 25	10/100	
	1380300600	3/4" x 30	10/100	
	1380400600	3/4" x 40	10/80	
	1380500600	3/4" x 50	10/80	
	1380650600	3/4" x 65	10/60	
	1380800600	3/4" x 80	5/50	
	1380100060	3/4" x 100	5/50	



**Normal Elbow Female**

1110	Code	Size	Pack	€
	1110040402	1/2"	10/150	
	1110040409	1/2" chr. plated	10/150	
	1110060602	3/4"	10/100	
	1110080802	1"	10/50	



**Normal Elbow Male-Female**

1120	Code	Size	Pack	€
	1120040403	1/2"	10/150	
	1120040409	1/2" chr. plated	10/150	
	1120060602	3/4"	10/100	
	1120080802	1"	10/50	



**Normal Tee Female**

1130	Code	Size	Pack	€
	1130040402	1/2"	10/100	
	1130040409	1/2" chr. plated	10/100	
	1130060602	3/4"	10/50	
	1130080802	1"	5/40	



**Normal Socket F-F**

1140	Code	Size	Pack	€
	1140010000	1/8"	10/300	
	1140020000	1/4"	10/500	
	1140030000	3/8"	10/300	
	1140040002	1/2"	10/200	
	1140060004	3/4"	10/150	
	1140080002	1"	10/100	
	1140120000	1 1/2"	5/30	
	1140160000	2"	5/20	



Normal	Reduced Socket			
--------	----------------	--	--	--

1150	Code	Size	Pack	€
	1150100400	1 1/4" - 1/2"	5/80	
	1150100600	1 1/4" - 3/4"	10/50	
	1150120800	1 1/2" - 1"	5/40	
	1150121000	1 1/2" - 1 1/4"	5/30	
	1150161000	2" - 1 1/4"	5/20	
	1150161200	2" - 1 1/2"	5/20	



Normal	Reduced Bush Male - Female			
--------	----------------------------	--	--	--

1230	Code	Size	Pack	€
	1230010200	1/4" - 1/8"	10/1000	
	1230010300	3/8" - 1/8"	10/500	
	1230020300	3/8" - 1/4"	10/500	
	1230040100	1/2" - 1/8"	10/400	
	1230020400	1/2" - 1/4"	10/400	
	1230030400	1/2" - 3/8"	10/400	
	1230030409	1/2" - 3/8" chr. plated	10/400	
	1230040601	3/4" - 1/2"	10/300	
	1230040600	3/4" - 1/2" chr. plated	10/300	
	1230040800	1" - 1/2"	10/200	
	1230060800	1" - 3/4"	10/200	



**Normal** **Reduced Nipple**

1220	Code	Size	Pack	€
	1220010200	1/4" - 1/8"	10/600	
	1220020300	3/8" - 1/4"	10/400	
	1220020400	1/2" - 1/4"	10/400	
	1220020402	1/2" - 1/4" cone	10/400	
	1220040602	3/4" - 1/2"	10/200	
	1220040802	1" - 1/2"	10/150	
	1220060802	1" - 3/4"	10/100	
	1220081002	1 1/4" - 1"	10/60	
	1220061200	1 1/2" - 3/4"	5/60	
	1220081200	1 1/2" - 1"	10/50	
	1220101200	1 1/2" - 1 1/4"	10/50	
	1220161000	2" - 1"	5/30	
	1220101600	2"-1 1/4"	5/30	
	1220121600	2"-1 1/2"	5/30	



**Normal** **Double Nipple**

1210	Code	Size	Pack	€
	1210010100	1/8" - 1/8"	10/1000	
	1210110100	1/8" - 1/8" cone	10/1000	
	1210020200	1/4" - 1/4"	10/750	
	1210120200	1/4" - 1/4" cone	10/700	
	1210030300	3/8"-3/8"	10/200	
	1210040402	1/2" - 1/2"	10/250	
	1210040409	1/2" - 1/2" chr.plated	10/250	
	1210060607	3/4"-3/4"	10/200	
	1210080800	1" - 1"	10/100	
	1210101002	1 1/4" - 1 1/4"	10/50	
	1210121202	1 1/2" - 1 1/2"	5/40	
	1210161602	2" - 2"	5/20	


**Normal Hexagonal Coupling M/F**

1240	Code	Size	Pack	€
	1240040000	1/2" - 1/2"	10/250	
	1240040900	1/2" - 1/2" Chr. Plated	10/250	
	1240060400	3/4" - 1/2"	10/200	
	1240060409	3/4" - 1/2" Chr. Plated	10/200	


**Normal Female Cup**

1310	Code	Size	Pack	€
	1310010000	1/8"	10/400	
	1310020000	1/4"	10/1000	
	1310030000	3/8"	10/500	
	1310040002	1/2"	10/400	
	1310060002	3/4"	10/250	
	1310080002	1"	10/150	
	1310080092	1" Chr. Plated	10/150	
	1310081600	2"	10/50	


**Normal Male Cup**

1320	Code	Size	Pack	€
	1320010000	1/8"	10/500	
	1320020000	1/4"	10/1000	
	1320030000	3/8"	10/700	
	132004000E	1/2"	10/500	
	132004090E	1/2" chrome plated	10/500	
	1320060001	3/4"	10/300	
	1320080000	1"	10/150	
	1320160000	2"	10/50	


**Normal Male Cup square head**

1320	Code	Size	Pack	€
	1320040001	1/2"	10/400	
	132004090T	1/2" chr. plated	10/400	





**Normal Tank Coupling**

1390	Code	Size	Pack	€
	1390040300	1/2"	10/120	
	1390060400	3/4"	10/80	
	1390080600	1"	10/50	
	1390101000	1 1/4"	5/25	
	1390121200	1 1/2"	5/20	
	1390161600	2"	2/16	



**Normal Five way tee**

1360	Code	Size	Pack	€
	1360820800	82 x 1"	5/30	
	1360920800	92 x 1"	5/25	



**Normal Pressure Test Cup**

1325	Code	Size	Pack	€
	1325040000	1/2"	10/100	



**Normal** Hexagonal extension 1/2"

1280	Code	Size	Pack	€
	1280100400	1/2" x 10	10/300	
	1280150400	1/2" x 15	10/250	
	1280200400	1/2" x 20	10/200	
	1280250400	1/2" x 25	10/200	
	1280300400	1/2" x 30	10/150	
	1280400400	1/2" x 40	10/100	
	1280500400	1/2" x 50	10/100	



**Normal** Hexagonal extension 1/2" Chrome Plated

1280	Code	Size	Pack	€
	1280100409	1/2" x 10	10/300	
	1280150409	1/2" x 15	10/250	
	1280200409	1/2" x 20	10/200	
	1280250409	1/2" x 25	10/200	
	1280300409	1/2" x 30	10/150	
	1280400409	1/2" x 40	10/100	
	1280500409	1/2" x 50	10/100	



**Male hose**

1810	Code	Size	Pack	€
	1810040000	1/2"	10/250	
	1810060000	3/4"	10/150	
	1810080000	1"	10/80	
	1810100000	1 1/4"	10/50	
	1810120000	1 1/2"	5/40	
	1810160000	2"	5/20	



**Female hose union**

1820	Code	Size	Pack	€
	1820040000	1/2"	10/250	
	1820060000	3/4"	10/150	
	1820080000	1"	10/80	
	1820100000	1 1/4"	10/50	
	1820120000	1 1/2"	5/30	
	1820160000	2"	5/20	

# Soldered Fittings

13




**Plus Coupling Male**

0910	Code	Size	Pack	€
	0910120407	12 x 1/2"	10/300	
	0910150417	15 x 1/2"	10/250	
	0910160407	16 x 1/2"	10/300	
	0910180417	18 x 1/2"	10/250	
	0910180607	18 x 3/4"	10/200	
	0910220400	22 x 1/2"	10/200	
	0910220607	22 x 3/4"	10/150	
	0910220807	22 x 1"	10/100	
	0910221007	22 x 1 1/4"	10/80	
	0910280607	28 x 3/4"	10/100	
	0910280807	28 x 1"	10/100	
	0910281007	28 x 1 1/4"	5/50	
	0910350807	35 x 1"	10/60	
	0910351007	35 x 1 1/4"	10/50	
	0910351207	35 x 1 1/2"	5/40	
	0910351607	35 x 2"	5/40	
	0910421007	42 x 1 1/4"	5/40	
	0910421207	42 x 1 1/2"	5/30	
	0910421607	42 x 2"	5/30	
	0910541607	54 x 2"	5/20	
	0910542000	54 x 2 1/2"	5/20	


**Plus Coupling Female**

0920	Code	Size	Pack	€
	0920120407	12 x 1/2"	10/300	
	0920150407	15 x 1/2"	10/200	
	0920180407	18 x 1/2"	10/200	
	0920180607	18 x 3/4"	10/150	
	0920220407	22 x 1/2"	10/150	
	0920220607	22 x 3/4"	10/150	
	0920220807	22 x 1"	10/100	
	0920280607	28 x 3/4"	10/100	
	0920280807	28 x 1"	10/80	
	0920281007	28 x 1 1/4"	5/50	
	0920350807	35 x 1"	10/60	
	0920351007	35 x 1 1/4"	5/50	
	0920351207	35 x 1 1/2"	5/40	
	0920421007	42 x 1 1/4"	5/40	



**Plus Elbow Female**

0930	Code	Size	Pack	€
	0930150417	15 x 1/2"	10/150	
	0930150607	15 x 3/4"	10/100	
	0930160407	16 x 1/2"	10/150	
	0930180407	18 x 1/2"	10/150	
	0930180607	18 x 3/4"	10/100	
	0930220607	22 x 3/4"	10/80	
	0930220807	22 x 1"	5/50	
	0930280807	28 x 1"	5/40	



**Plus Elbow Male**

0940	Code	Size	Pack	€
	0940120407	12 X 1/2"	10/250	
	0940150407	15 x 1/2"	10/200	
	0940180407	18 x 1/2"	10/150	
	0940150607	15 x 3/4"	10/200	
	0940220607	22 x 3/4"	10/80	
	0940220807	22 x 1"	5/50	



**Plus Tee Female**

0950	Code	Size	Pack	€
	0950150407	15 x 1/2" x 15	10/100	
	0950180407	18 x 1/2" x 18	10/100	
	0950220407	22 x 1/2" x 22	10/70	
	0950220607	22 x 3/4" x 22	10/60	



**Normal Coupling Male**

0910	Code	Size	Pack	€
	0910150400	15 x 1/2"	10/400	
	0910150600	15 x 3/4"	10/200	
	0910180400	18 x 1/2"	10/350	
	0910180600	18 x 3/4"	10/200	
	0910180800	18 x 1"	10/150	
	0910220601	22 x 3/4"	10/200	
	0910220800	22 x 1"	10/150	
	0910280800	28 x 1"	10/100	
	0910281000	28 x 1 1/4"	10/70	
	0910350801	35 x 1"	5/100	
	0910351000	35 x 1 1/4"	10/60	
	0910421201	42 x 1 1/2"	5/40	
	0910541200	54 x 1 1/2"	5/30	

**Normal Coupling Female**

0920	Code	Size	Pack	€
	0920150400	15 x 1/2"	10/250	
	0920150600	15 x 3/4"	10/150	
	0920160400	16 x 1/2"	10/250	
	0920180400	18 x 1/2"	10/250	
	0920180601	18 x 3/4"	10/200	
	0920220601	22 x 3/4"	10/150	
	0920220800	22 x 1"	10/100	
	0920280801	28 x 1"	10/100	
	0920350801	35 x 1"	10/100	
	0920351001	35 x 1 1/4"	10/60	
	0920421200	42 x 1 1/2"	5/40	
	0920541600	54 x 2"	5/20	

**Normal Elbow Female**

0930	Code	Size	Pack	€
	09301204000	12 x 1/2"	10/200	
	09301504000	15 x 1/2"	10/150	



**Normal Elbow Female Wallplate**

0931	Code	Size	Pack	€
	09311504000	15 x 1/2"	10/150	



**Normal Elbow Male**

0940	Code	Size	Pack	€
	0940150401	15 x 1/2"	10/200	
	0940160400	16 x 1/2"	10/200	
	0940180400	18 x 1/2"	10/200	
	0940180600	18 x 3/4"	10/100	



**Normal Tee Female**

0950	Code	Size	Pack	€
	0950150400	15 x 1/2" x 15	10/150	



**Double Wallplate Bracket**

0936	Code	Size	Pack	€
	0936150400	1/2" - Ø15	1/40	



## Straight Male Union with O-Ring

1010	Code	Size	Pack	€
	1010150407	15 x 1/2" <b>Plus</b>	10/150	
	1010180407	18 x 1/2" <b>Plus</b>	10/100	
	1010150607	15 x 3/4"	10/150	
	1010180607	18 x 3/4"	10/100	
	1010220607	22 x 3/4"	10/100	
	1010220807	22 x 1"	10/80	
	1010280807	28 x 1"	5/40	
	1010281007	28 x 1 1/4"	5/40	



## Straight Female Union with O-Ring

1020	Code	Size	Pack	€
	1020150407	15 x 1/2" <b>Plus</b>	10/150	
	1020180407	18 x 1/2" <b>Plus</b>	10/100	
	1020150607	15 x 3/4"	10/150	
	1020180607	18 x 3/4"	10/100	
	1020220607	22 x 3/4"	10/100	
	1020220807	22 x 1"	5/70	
	1020280807	28 x 1"	10/50	

# Floor Gratings

14

 CherBros

 CherBros

 CherBros

95

 CherBros

 CherBros

 CherBros





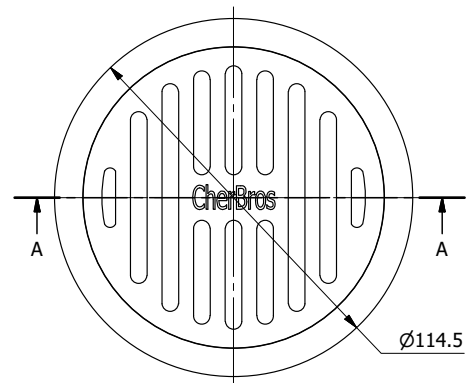
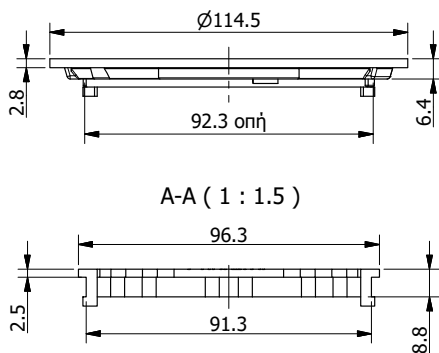
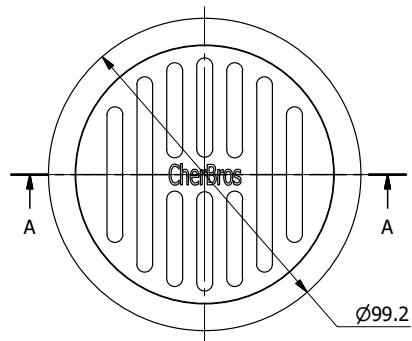
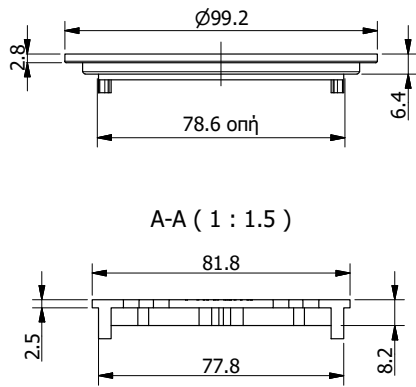
**Plus** Floor grating / Self standing

1610	Code	Size	Pack	€
	1610100079	Φ 100 chr. plated	1/25	
	1610120079	Φ 120 chr. plated	1/20	



**Plus** Floor grating / Snap

1620	Code	Size	Pack	€
	1620100091	Φ 100 chr. plated	1/25	
	1620120090	Φ 120 chr. plated	1/20	







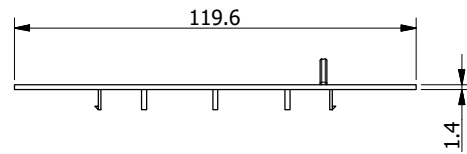
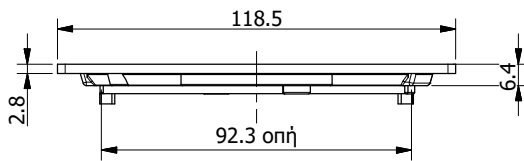
**Plus Square floor grating / Self standing**

1630	Code	Size	Pack	€
	1630121279	12 x 12 chr. plated	1/20	

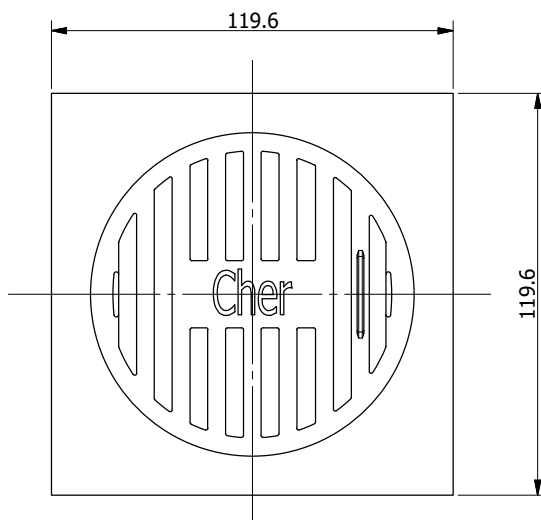
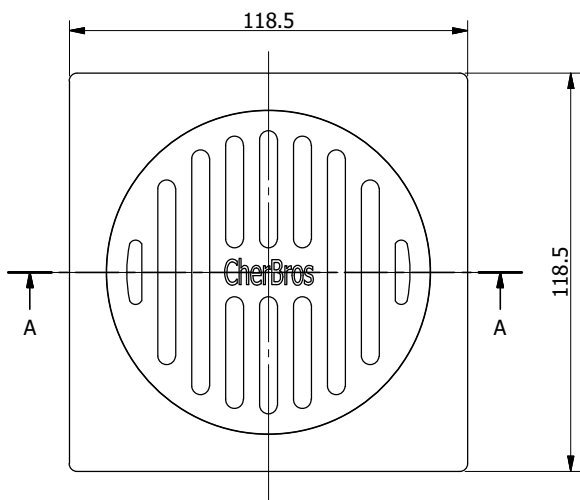
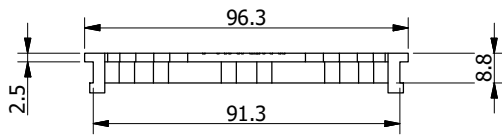


**Plus Floor grating / Snap**

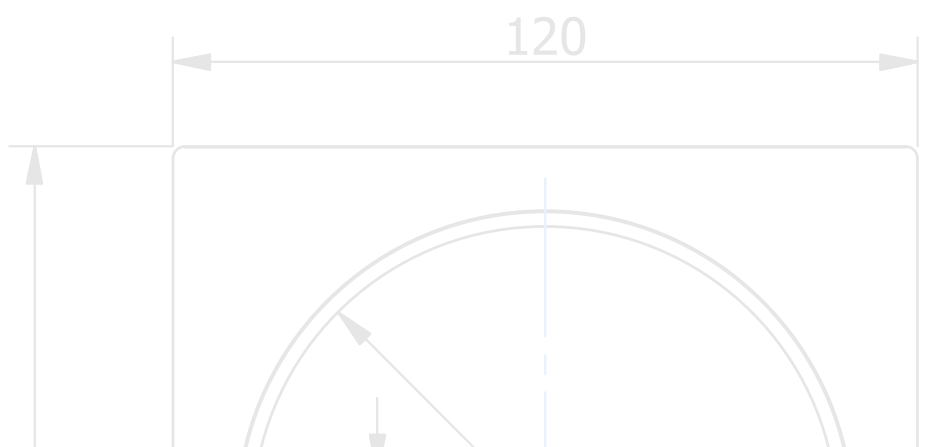
1630	Code	Size	Pack	€
	1630121209	12 x 12 chr. plated	1/20	
	1630151519	15 x 15 chr. plated	1/20	



A-A ( 1 : 1.5 )



 **CherBros**  
more than fittings





**Soft solder for copper pipe 97/3**

2410	Code	Size	Pack	€
	2410970300	2.5mm/0.20kg	1/60	

**Copper pipe cleaner Cher FLUX**

2420	Code	Size	Pack	€
	2420000000	4 oz	1/60	

**Teflon**

2510	Code	Size	Pack	€
	2510041000	1/2"x12m	10/250	
	2510061000	3/4"x12m	10/80	

**Cartridge "Grohe" type**

2310	Code	Size	Pack	€
	2310040000	1/2"	1	

**Cartridge "Normal" type**

2310	Code	Size	Pack	€
	2310030000	3/8"	1	



Products will be transported at the customer's care and charge.  
Orders will be carried out insofar as the amounts of past debts do not exceed 30 days.  
• Products will still be property of the company until the relevant invoice is settled.

#### Returns of products

1. They take place following consultation with the company within 30 days from invoice issue.
2. In case products are damaged due to poor treatment, they shall not be accepted.
  - The company reserves the right to change prices without prior notice.
  - Athens Courts will be competent to settle any dispute.

#### Indemnity

- In case of damage due to failure of our company's component, indemnity shall be paid through third party civil liability plan kept by the company.

#### Bank Accounts:

**EUROBANK ERGASIAS SA** / Account number: 00260267170200179410

SWIFT: ERBKGRAA - IBAN: GR 7202602670000170200179410

**PIRAEUS BANK** / Account number: 0170475047026146466

SWIFT: PIRBGRAA - IBAN: GR 9701720470005047026146466



## Kooperationsbedingungen

- Der Transport der Produkte erfolgt in Verantwortung und auf Kosten des Kunden.
- Bestellungen werden unter der Voraussetzung bearbeitet, dass ein vorausgehender zu zahlender Betrag seit nicht mehr als 30 Tagen offen ist.
- Bis zur Begleichung der Rechnung verbleiben die Produkte Eigentum des Unternehmens.

#### Rückgabe von Produkten

1. Ist nur nach Übereinkunft mit dem Unternehmen und innerhalb von 30 Tagen ab dem Ausstellungsdatum der Rechnung möglich.
2. Produkte, die aufgrund unsachgemäßer Behandlung zerstört sind, werden nicht zurückgenommen.
  - Das Unternehmen behält sich das Recht vor, die Preise ohne vorherige Ankündigung zu ändern.
  - Die Zuständigkeit für die Beilegung jedweder Meinungsverschiedenheit liegt bei den Gerichten von Athen.

#### Entschädigung

- Im Falle eines Schadens, der von einem Zubehörteil unseres Unternehmens verursacht wurde, wird im Rahmen der Haftpflichtversicherung gegenüber Dritten, die unser Unternehmen hält, Schadenersatz geleistet.

#### Bankkonten:

**EUROBANK ERGASIAS SA** / Kontonummer: 00260267170200179410

SWIFT: ERBKGRAA - IBAN: GR 720260267000017020017941

**PIRAEUS BANK** / Kontonummer: 0170475047026146466

SWIFT: PIRBGRAA - IBAN: GR 9701720470005047026146466



## Условия предоставления услуг

- Продукция перевозится на риск и за счет клиента
- Заказы выполняются с условием, что сумма предыдущей задолженности не превышает 30 дней
- До полной выплаты по счету - фактуре продукция остается в собственности компании

#### Возврат продукции

1. Осуществляется только по согласованию с компанией и в течение 30 дней с момента выдачи счета - фактуры
2. В случае, если продукция повреждена по причине плохого обращения, она не будет принята
  - Компания оставляет за собой право изменения цен без предварительного уведомления
  - Для разрешения любого спора, компетентным органом является Афинский суд.

#### Возмещение ущерба

- В случае нанесения ущерба по вине нашей компании предоставляется возмещение ущерба в рамках программы - гражданская ответственность перед третьими лицами, которую имеет компания

#### Реквизиты банка:

**EUROBANK ERGASIAS SA** / Счет: 00260267170200179410

SWIFT: ERBKGRAA - IBAN: GR 720260267000017020017941

**БАНК PIRAEUS** / Счет №: 0170475047026146466

SWIFT: PIRBGRAA - IBAN: GR 9701720470005047026146466



## Termeni de colaborare

- Clientul este responsabil de costurile și riscurile transportării produselor.
- Comenzile vor fi executate cu condiția ca debitul anterior să nu depășească 30 de zile.
- Până la achitarea facturii produsele rămân în proprietatea companiei.

#### Returnările de produse

1. Se realizează doar în urma consultării cu compania și în interval de 30 de zile de la emiterea facturii.
2. În cazul deteriorării produselor din cauza manevrării deficitare returnul acestora nu va fi acceptat.

Compania își rezervă dreptul de modificare a prețurilor fără înștiințare.

- Pentru orice litigiu sunt competente tribunalele din Atena.

#### Despăgubiri

- În cazul prejudicierii cauzate de un produs al societății noastre, se oferă despăgubiri prin intermediul programului de răspundere civilă față de terți, în care este inclusă și societatea.

#### Conturi bancare:

**EUROBANK ERGASIAS SA** / Număr Cont: 00260267170200179410

SWIFT: ERBKGRAA - IBAN: GR 720260267000017020017941

**PIRAEUS BANK** / Număr Cont: 0170475047026146466

SWIFT: PIRBGRAA - IBAN: GR 9701720470005047026146466





**CHERBROS S.A.**  
**FITTINGS FOR PLUMBING & HEATING INSTALLATIONS**

224, Orfeos str. • GR-122 41 Egaleo • Attiki  
Tel. +30 210 3452 004 • Fax: +30 210 3425 291  
e-mail: [info@cherbros.gr](mailto:info@cherbros.gr) • [www.cherbros.gr](http://www.cherbros.gr)

FITTINGS