



Solid fuel products
SERIES LTC300



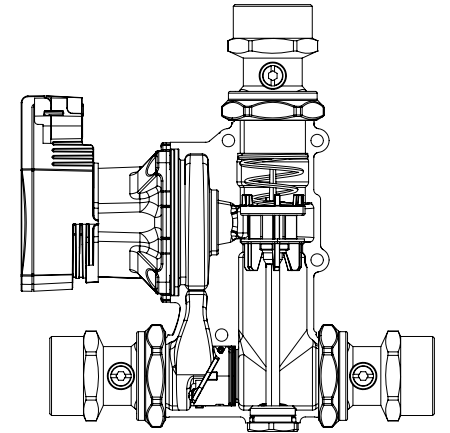
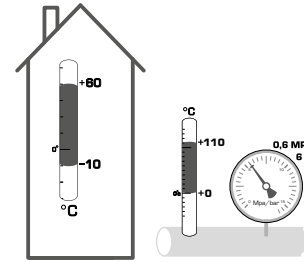
Series LTC341
Series LTC361

Series LTC381



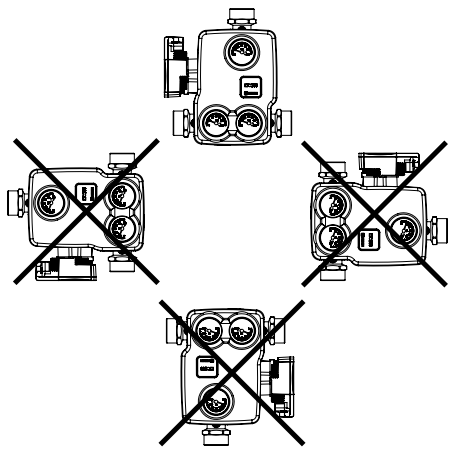
LVD 2014/35/EU
EMC 2014/30/EU
RoHS3 2015/863/EU
PED 2014/68/EU, article 4.3

ErP 2009/125/EU
ErP 2015

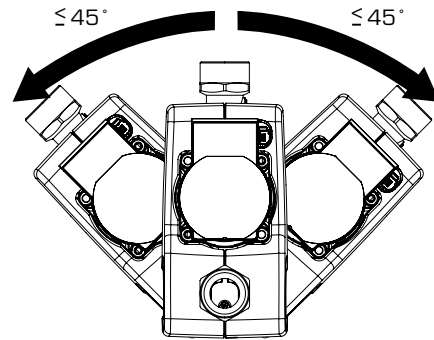


Mtrl.n: 9814 1077 • Ritn.n: 4843 vers. B • Rev. 2022-06-01

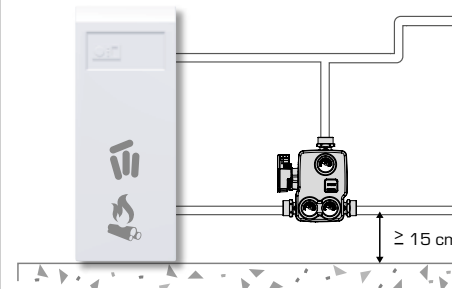
1



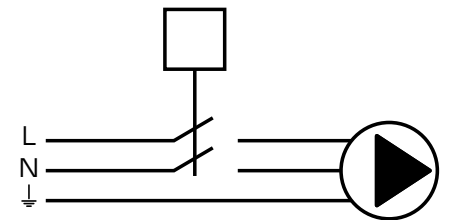
2



3

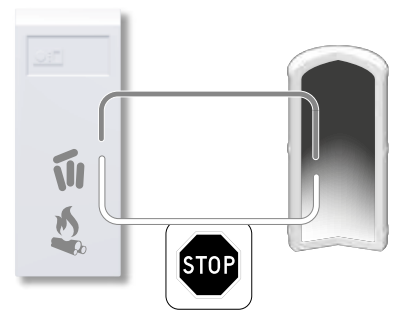
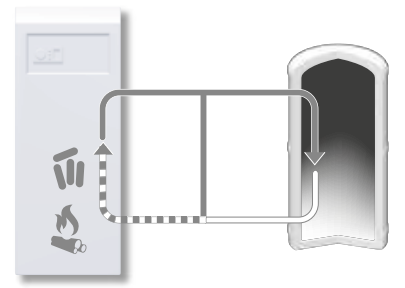


230 VAC, 50Hz

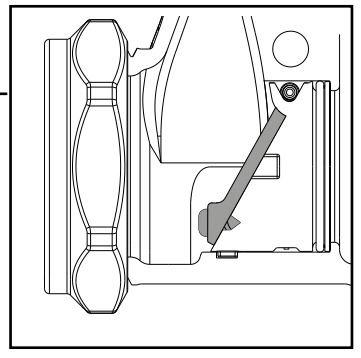


a 



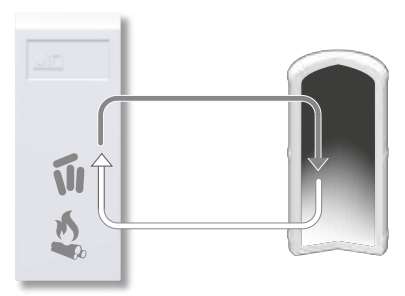
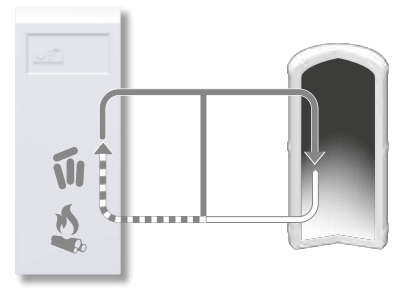






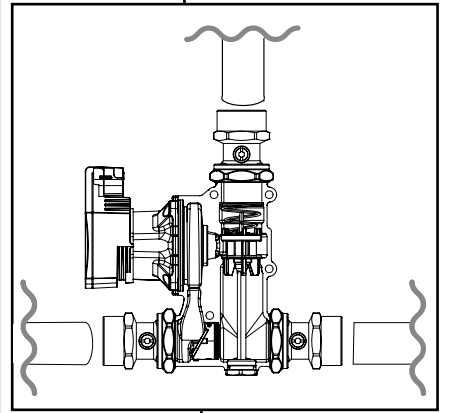
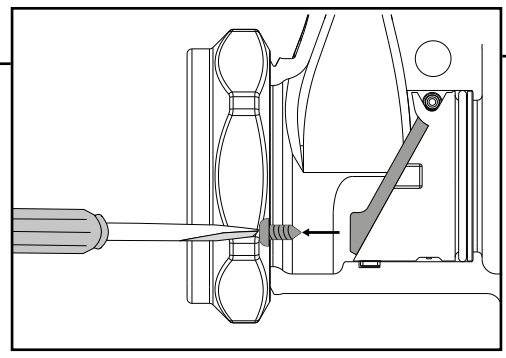
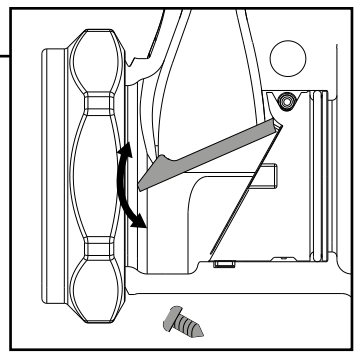
b 











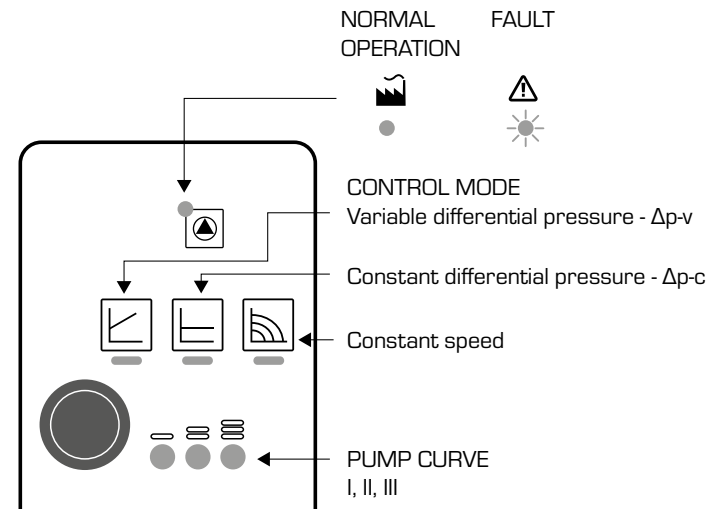
5

Pump Settings

Click	LED display	Control mode	Pump curve
			Recommended
1		Constant speed	
2		Constant speed	
3		Variable differential pressure $\Delta p-v$	
4		Variable differential pressure $\Delta p-v$	
5		Variable differential pressure $\Delta p-v$	
6		Constant differential pressure $\Delta p-v$	
7		Constant differential pressure $\Delta p-v$	
8		Constant differential pressure $\Delta p-v$	
9		Constant speed	

6

Display



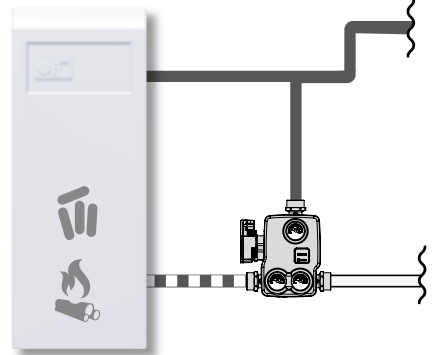
i

Pump features

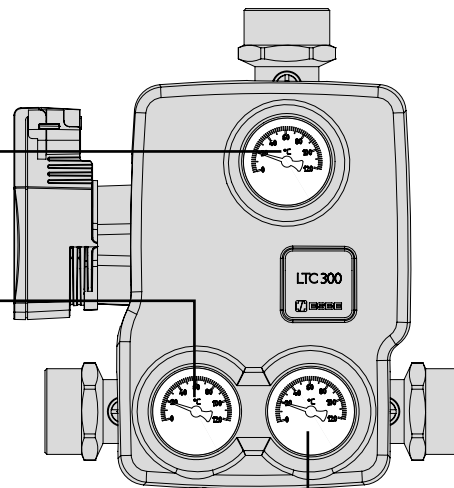
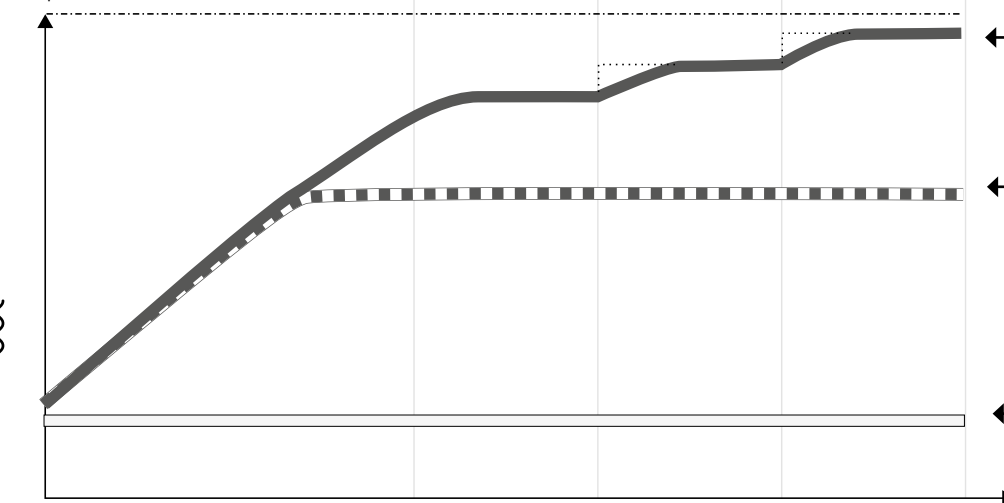
1	2	3	4
Hold	LED display	Last settings	Status
↓ 8 sec			Locked
↓ 8 sec			Unlocked
↓ 4 sec			Factory setting
↓ 3 sec			Venting



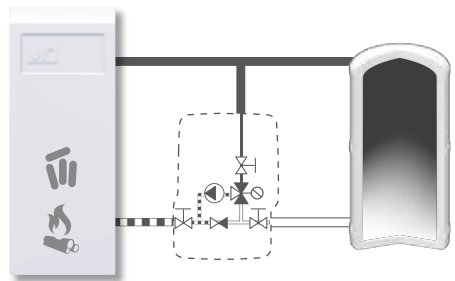
Optimising load temperature



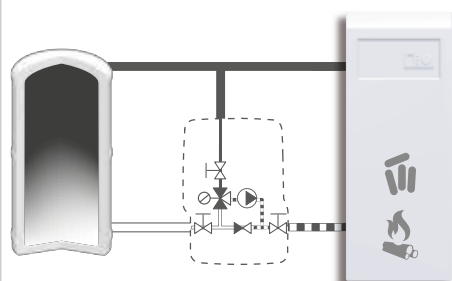
Temp °C



i



i



i



<https://esbe.eu/group/products/solid-fuel-products/ltc300>

i



www.esbe.eu

Piping Schematics are General Representations